

Features:

1. Application: Recessed stage floor box provides versatile solution to accessing power, audio and visual equipment through floor .
2. More plug top clearance: side-mounting installation of frame/ modules.
3. Hinged lid thickness over 4~4.5m , static pressure over 1000N .
4. Cold-rolled Steel box thickness over 1.5~2.0mm with powder coated.

Cable Exit Protective Port



DK cable outlet fitting



HK cable outlet fitting



Technical Parameters :

Parameter	Description
Panel Material	Brass alloy(H62)/Stainless steel(304)
Panel Dimension(mm)	210*210
Cutout(mm)	190*190
Capacity of modules	10 ways modules

Brass



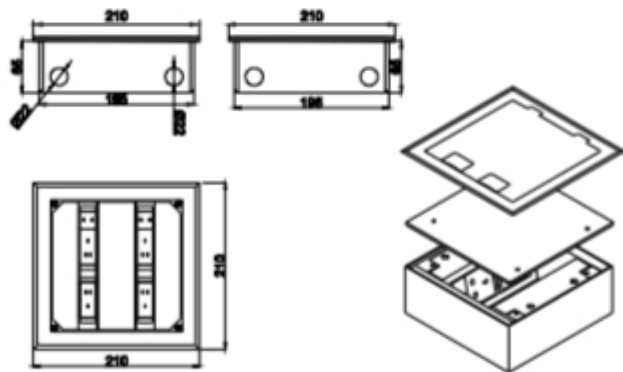
Alu alloy



Stainless



Outline Drawing: Unit:mm



(Image is for reference only.)

Installation Guide

1. Cut out 198*198mm for powering the slurry.
2. Remove the pre-installed temporary lid, wiring and installing modules.
3. Pre-install the cable pipe as per your request .
4. Install cover lid and tighten with screws.
5. Conceal the cut edge of carpet or flooring.

