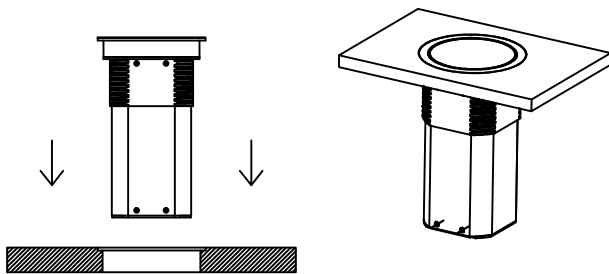
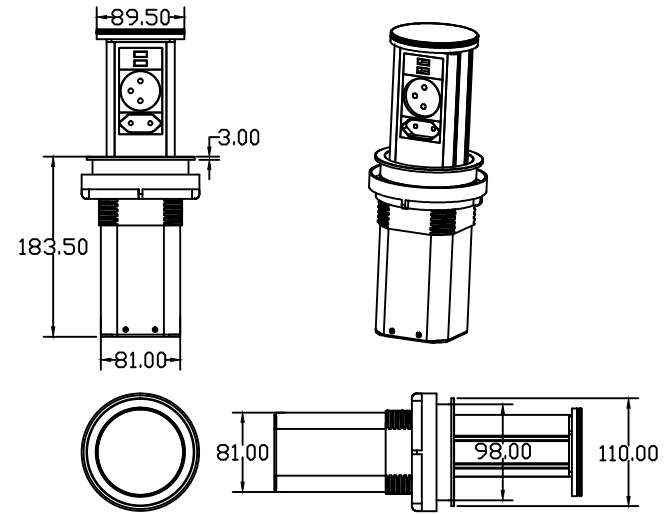


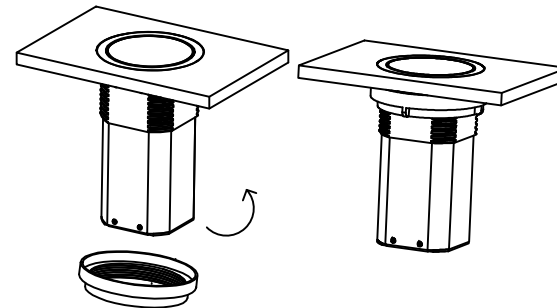
1. Cutting size



3. Put into the hole



2. Product size



4. Tighten the retaining ring