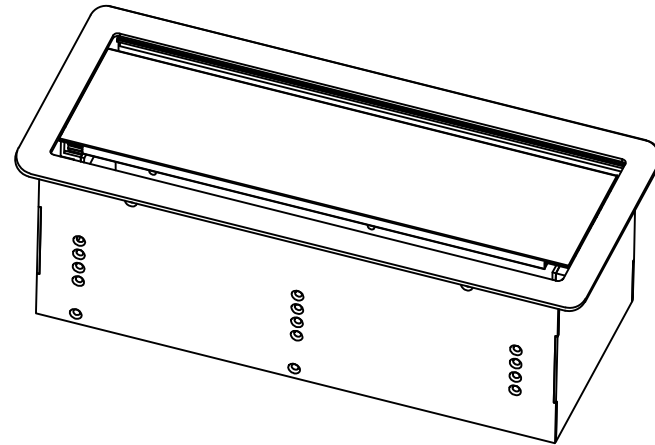
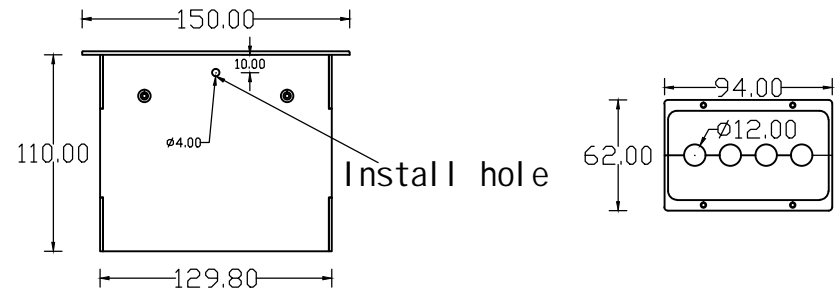
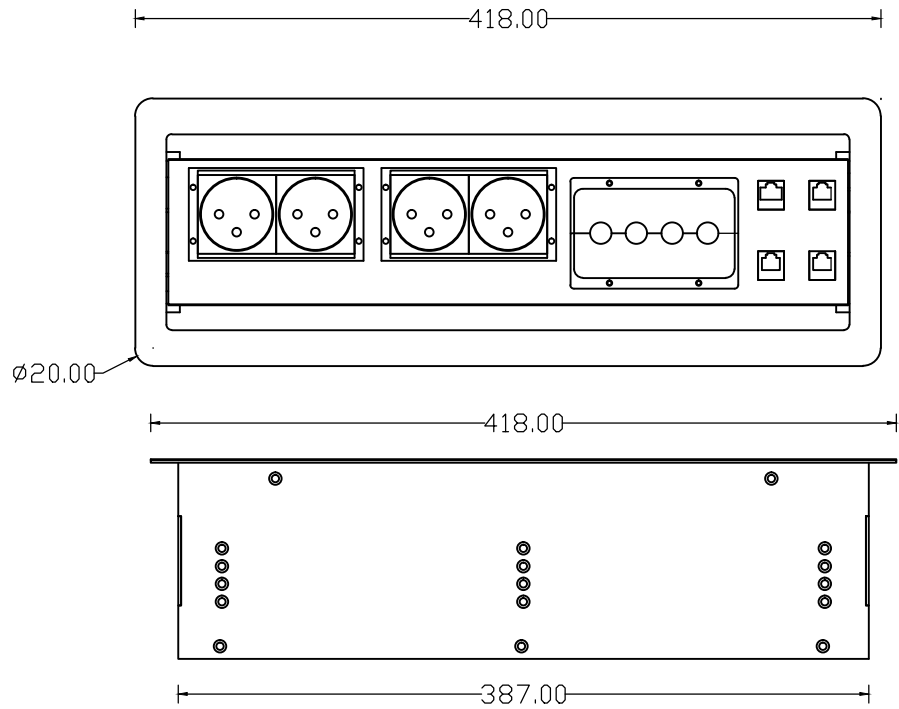


Value in millimeters



Cutting hole: 390X132mm

Please make holes based on the actual object