



Ten 47

Vanten

**400Amp Keyed Single Pole
Connectors**



Ten 47 Limited

Unit 2B Frances Industrial Park
Kirkcaldy, Scotland, UK
KY1 2XZ
Tel: +44 (0)1592 655725
Fax: +44 (0)1592 651049
Email: admin@ten47.com

VANTEN

400Amp Keyed Single Pole Connectors



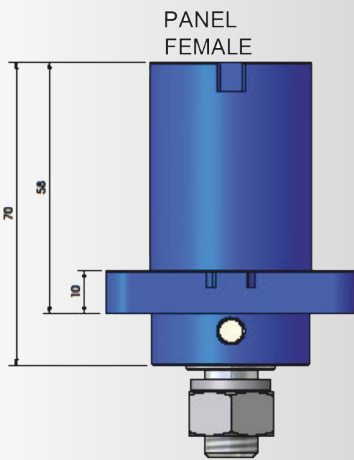
- KSPC: Keyed Single Pole Connectors to EN 61984, IEC 60529 and BS7909 *
- IP2X: Finger Protection on Male and Female contacts
- Colour Coded and Mechanically Keyed to prevent connection errors
- UL94-V0 Rated
- IP67 Sealed when Mated
- Cable range from 16mm² to 120mm² (4/0AWG)
- Multi louver contact system
- Reduced flange size option
- No special tools for assembly or disconnection
- Spring Locking action
- CE compliant

* where applicable



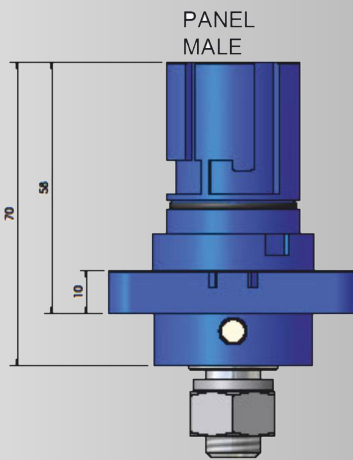
Ten 47 Limited

Unit 2B Frances Industrial Park
Kirkcaldy, Scotland, UK
KY1 2XZ
Tel: +44 (0)1592 655725
Fax: +44 (0)1592 651049
Email: admin@ten47.com



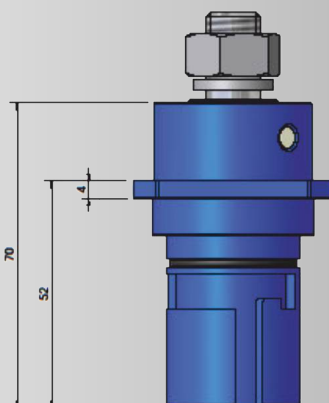
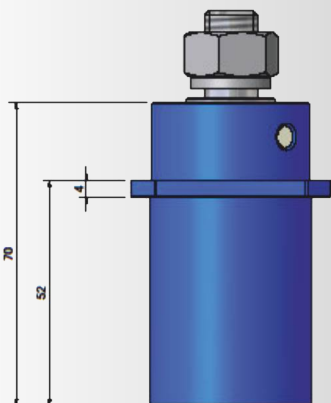
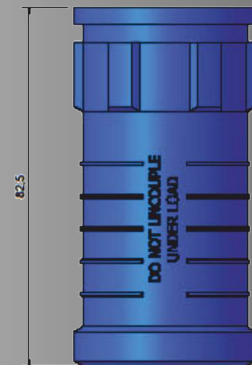
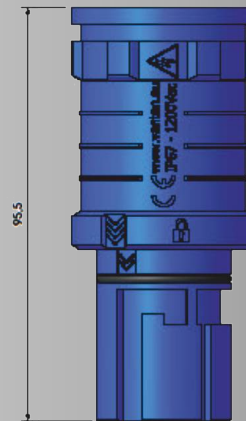
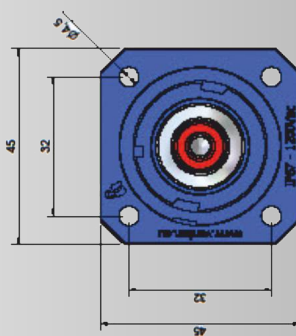
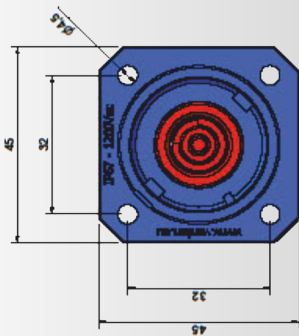
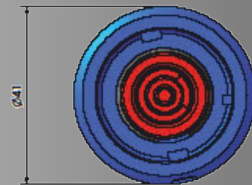
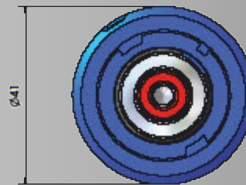
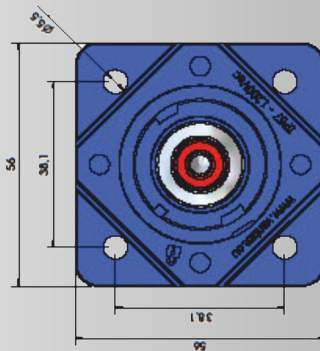
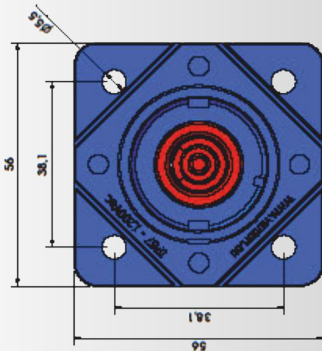
PANEL FEMALE

M12



PANEL MALE

M12



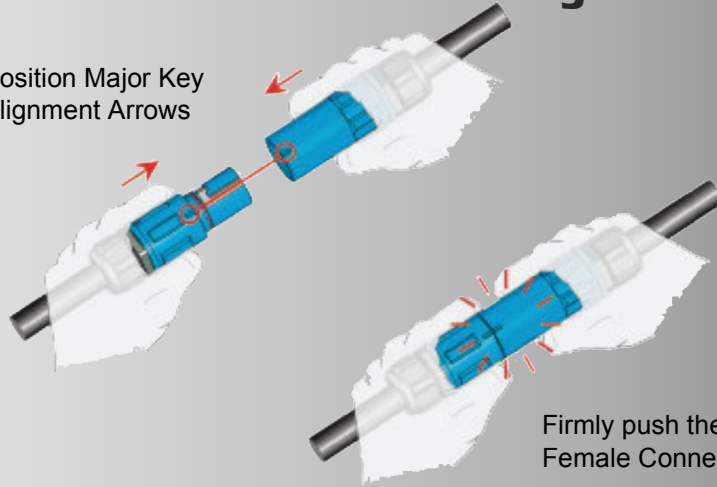


Ten47

VANTEN CONNECTORS

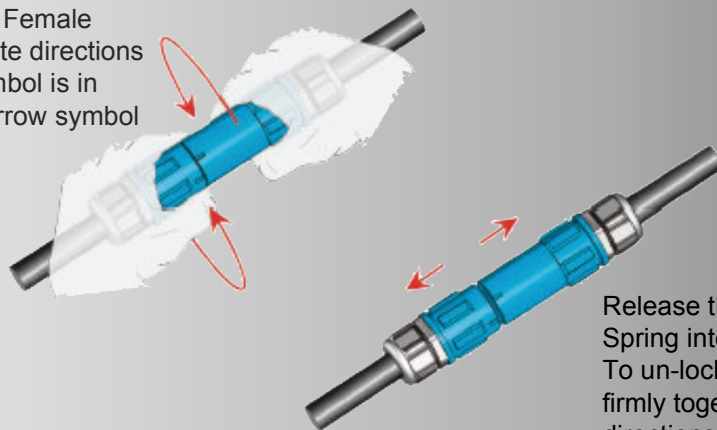
MATING and Un-Mating

Position Major Key
Alignment Arrows



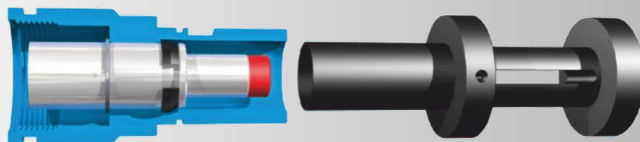
Firmly push the Male and
Female Connectors together

Rotate the Male and Female
connectors in opposite directions
until the Padlock symbol is in
alignment with the Arrow symbol

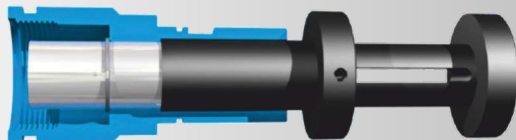


Release the connectors and they
Spring into the Locked position.
To un-lock, push the connectors
firmly together, rotate in opposite
directions and pull apart

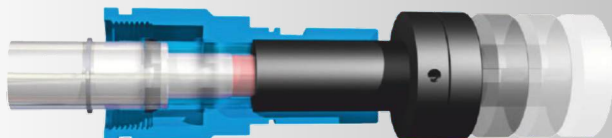
CONTACT REMOVAL



Contact Release Tool.
Part Number: REM-120P



Insert the Contact Release Tool
into the front face of the connector.
This releases the internal locking
clip. Push home the plunger and
the contact is released from the
rear of the connector.



Ten 47 Limited

Unit 2B Frances Industrial Park
Kirkcaldy, Scotland, UK
KY1 2XZ
Tel: +44 (0)1592 655725
Fax: +44 (0)1592 651049
Email: admin@ten47.com

Characteristics

Insulation	1250V
Maximum panel thickness to guarantee insulation	6mm
Panel contact tightening torque	30Nm Max
Contact retention in Insulator	400N axial load
Inline contact retention	Plastic Clip
Panel mount contact retention	Dowel Pin
Contact release	Front
M32 Clamping range	7mm ÷ 25mm
Flammability	UL94 V0
Environmental sealing (when mated)	IP67
Connector protection (unmated)	IP2X
Rated voltage to Earth	1750VAC, panel thickness<4mm 1250VAC, panel thickness>4mm
Contact resistance	<0.1mOhms
Short circuit current	11KA -1 seconds
Short circuit current	4KA – 3 seconds
Surge current (din VDE 0102/1.90)	45KA – 10 mseconds
Temperature range	-30°C/+120°C

Series	Flange	Key Position	Colour	Contact	Cable gland
VTPF	R	E	GN	T2	

Series	
VTPF	Panel Female
VTPM	Panel Male
VTCF	Cable Female
VTCM	Cable Male
Reduced flange	
-	Normal
R	Reduced flange
Key Position	
1	Line 1
2	Line 2
3	Line 3
N	Neutral
E	Earth

Contact Type	
C120	Crimp 95—>120mm ²
S70	Set Screw 70mm ²
S50	Set Screw 50mm ²
S35	Set Screw 35mm ²
S25	Set Screw 25mm ²
S16	Set Screw 16mm ²
T2	Panel Mount 250A Brass
T4	Panel Mount 400A Copper
Cable gland	
OS	15-25mm
M	11-21mm
S	7-15mm

Colour	
GN	Green
BU	Blue
BR	Brown
BK	Black
GY	Grey
RD	Red
YE	Yellow
WH	White



ISO 9001 : 2008
Certificate : FS581148

Ten 47 Limited

Unit 2B Frances Industrial Park
Kirkcaldy, Scotland, UK
KY1 2XZ
Tel: +44 (0)1592 655725
Fax: +44 (0)1592 651049
Email: admin@ten47.com