

A4

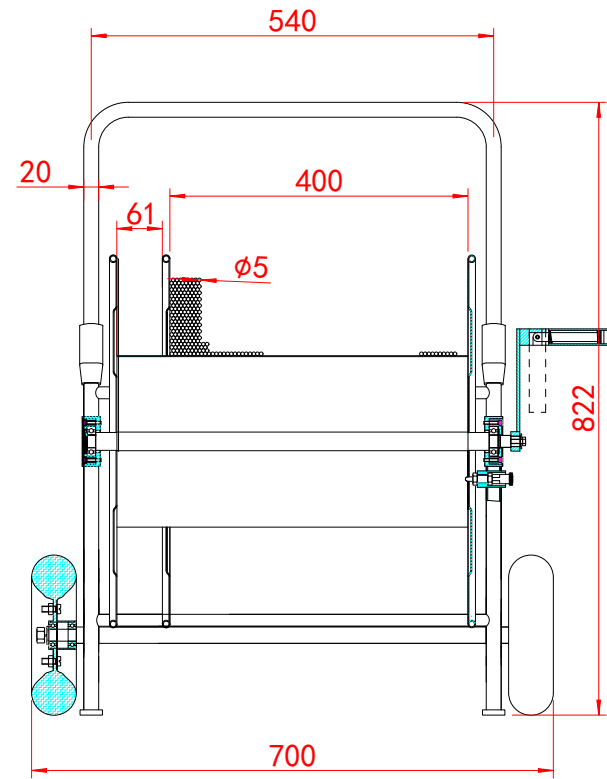
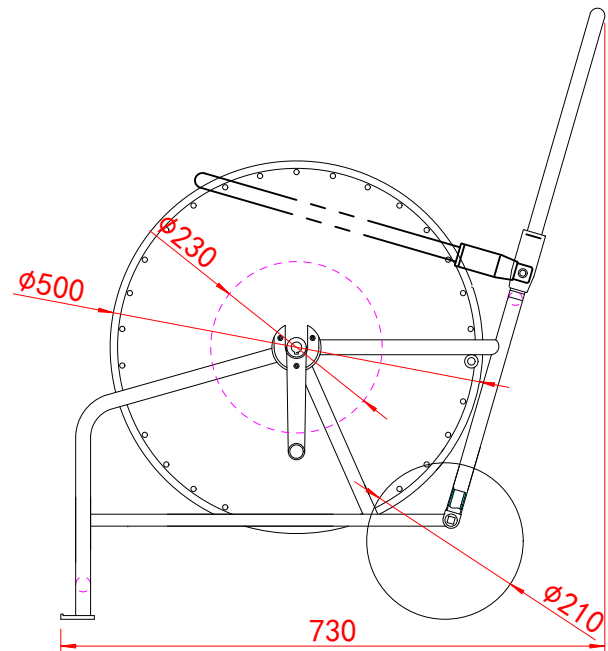
1 2 3 4 5 6 7 8 9

A

B

C

D



E

F

Model	LZB-15	Diameter	Winding length
Product Size	730*700*822mm	3.0mm	4000M
Disc Diameter	500mm	4.0mm	3000M
Shaft Diameter	230mm	5.0mm	1500M
Disc Width	400mm	6.0mm	1200M
Package Size	750*720*840mm	7.0mm	900M
Gross Weight	30KG	8.0mm	500M
Net Weight	22KG	9.0mm	400M
Unit-Price		10.0mm	300M
Notes	Vehicle-mounted, with 2 wheels and brake pulling rod is foldable, reel is removable		

Name	LZB-15		
Model			
Drawer	Eddie	Audit	
Date	2024/04/11	Approver	

1 2 3 4 5 6 7 8 9

A

B

C

D

E

F