

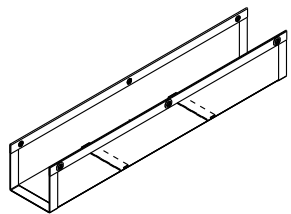
OPA-550G

Before assembly

Please spend a minute to read this and follow the procedures step by step. Do not discard any of the packaging until you have checked all the parts and The package of fittings.

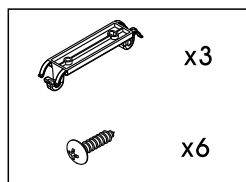
Check List

01



x2

02

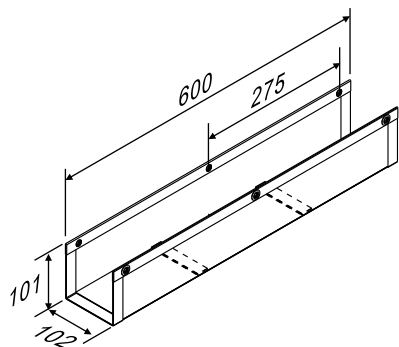


x2 Set

Assembly Guide

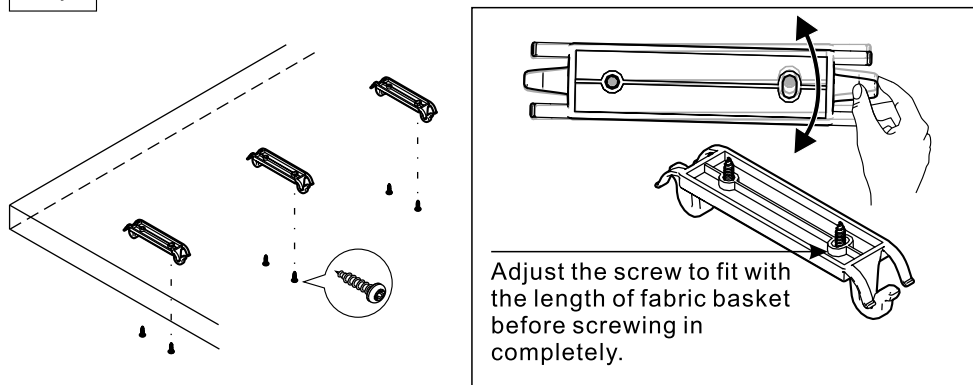
Step1

Make sure the desk fits the 600mm length of single cable management tray.



Step2

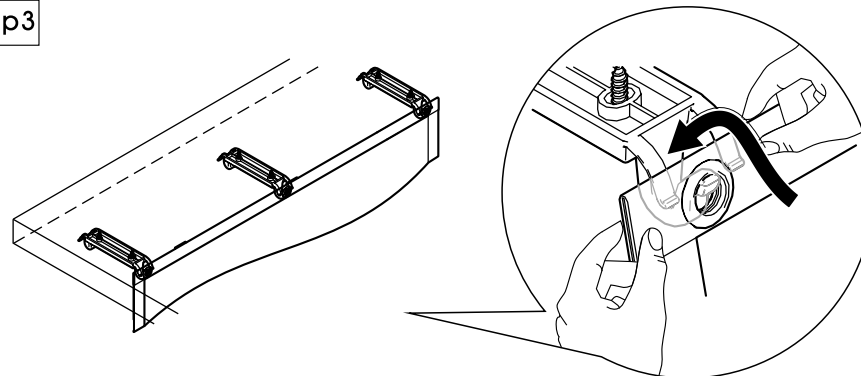
Self tapping screws mount the hook under a desk.



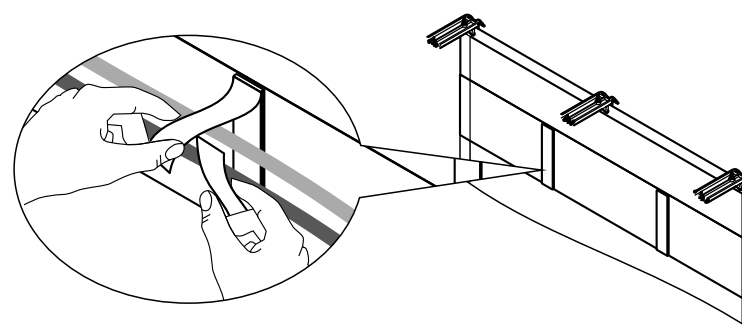
Adjust the screw to fit with the length of fabric basket before screwing in completely.

Assembly Guide

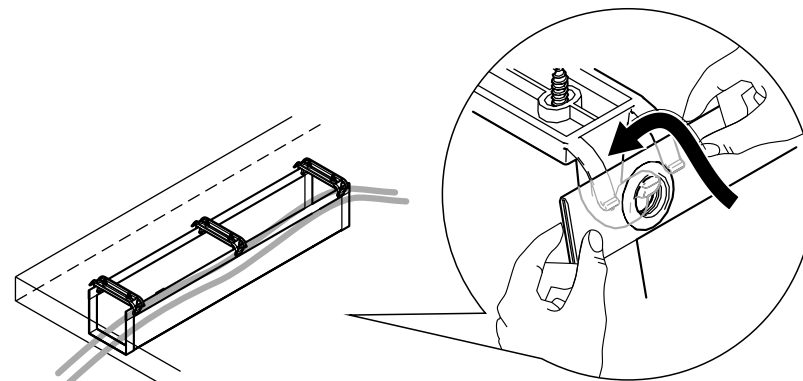
Step3



Step4



Step5



Caution:

Regular cleaning with a clean dry cloth is usually sufficient, but for stubborn marks, wipe over gently with a clean damp cloth. Never use strong detergents or abrasive cleaners as these may damage the surface finish of your furniture. There are many small components used in the construction of this unit. These loose items should be kept away from young children while assembling your unit.