

LA-201

Before assembly

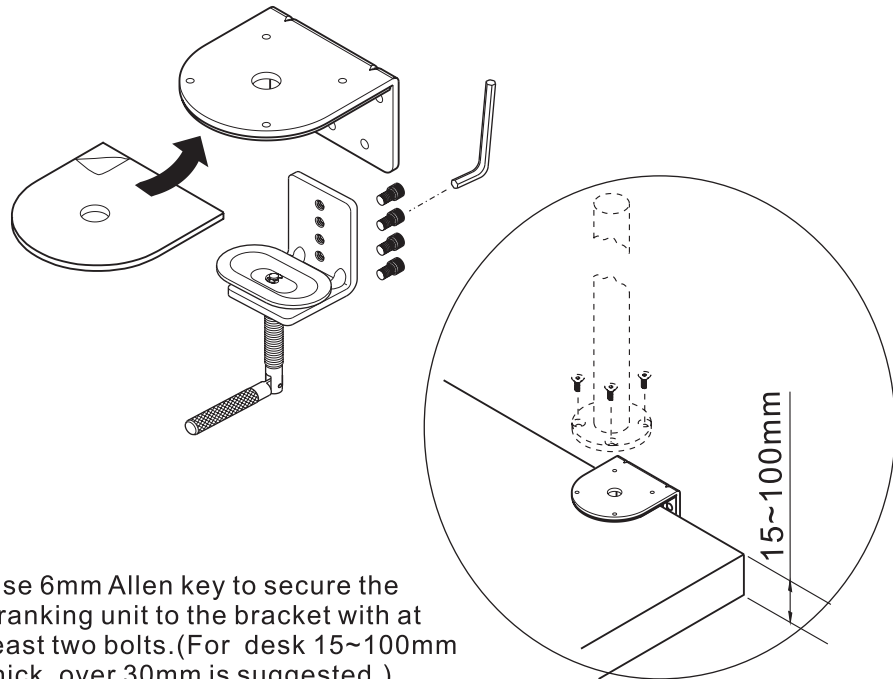
Please spend some times to read this and follow the procedures step by step. Some panels are viewed differently from the exploded drawing below. This is for extra clarity.

Do not discard any of the packaging until you have checked all the parts and the package of fittings. If you are missing any of the parts, please contact the store from which you purchased your products. The staff will do their best to help you.

Check-List



Standard clamp type



Use 6mm Allen key to secure the cranking unit to the bracket with at least two bolts. (For desk 15~100mm thick, over 30mm is suggested.)

LA-201

Before assembly

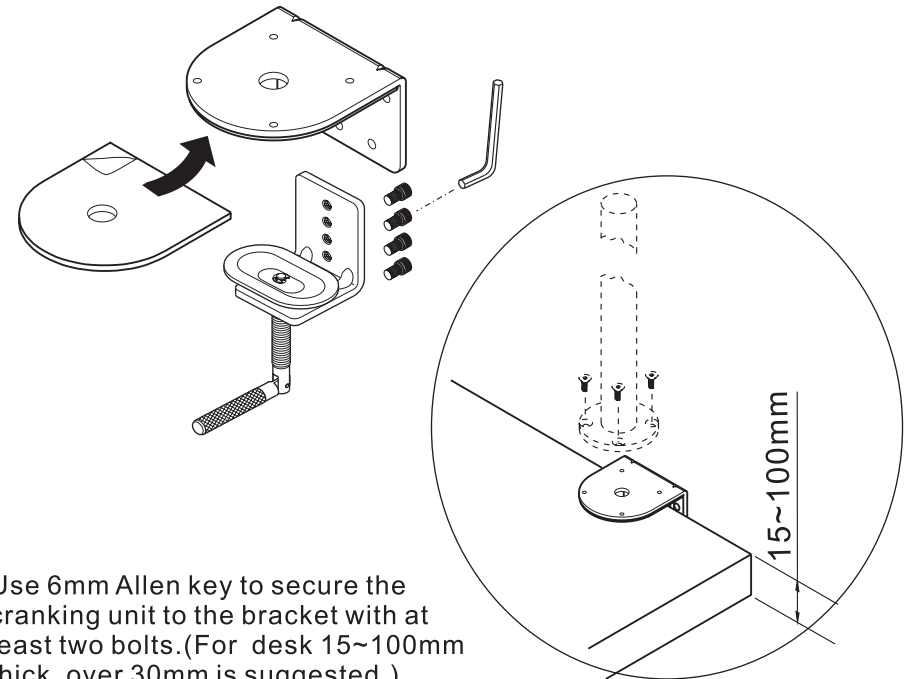
Please spend some times to read this and follow the procedures step by step. Some panels are viewed differently from the exploded drawing below. This is for extra clarity.

Do not discard any of the packaging until you have checked all the parts and the package of fittings. If you are missing any of the parts, please contact the store from which you purchased your products. The staff will do their best to help you.

Check-List



Standard clamp type



Use 6mm Allen key to secure the cranking unit to the bracket with at least two bolts. (For desk 15~100mm thick, over 30mm is suggested.)