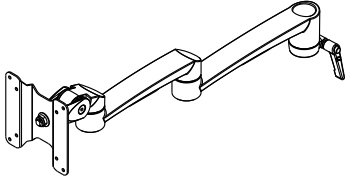

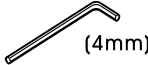




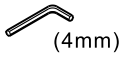







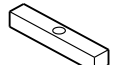




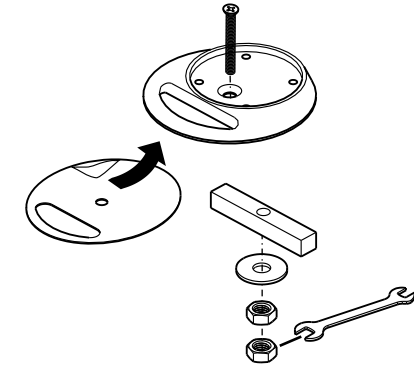
Before assembly, please spend some time reading this manual and follow the procedures step by step assembly guide. Some panels are viewed differently from the detail drawing below. This is for extra clarity. Do not discard any of the packaging until you have checked all the parts and the package of fittings. If you are missing any of the parts, please contact the store from which you purchased your products. The staff will do their best to help you.

### Check-List

|    |   |    |    |   |    |
|----|---|----|----|---|----|
| 01 |    | X1 | 02 |    | X4 |
|    |   |    | 03 |    | X1 |
| 04 |    | X1 | 06 |    | X1 |
|    |   |    | 07 |    | X4 |
|    |   |    | 08 |    | X1 |
|    |   |    | 09 |   | X1 |
| 05 |  | X1 | 10 |  | X2 |
| 11 |  | X1 | 15 |  | X1 |
| 12 |  | X1 | 16 |  | X2 |
| 13 |  | X1 | 17 |  | X1 |
| 14 |  | X1 |    |   |    |

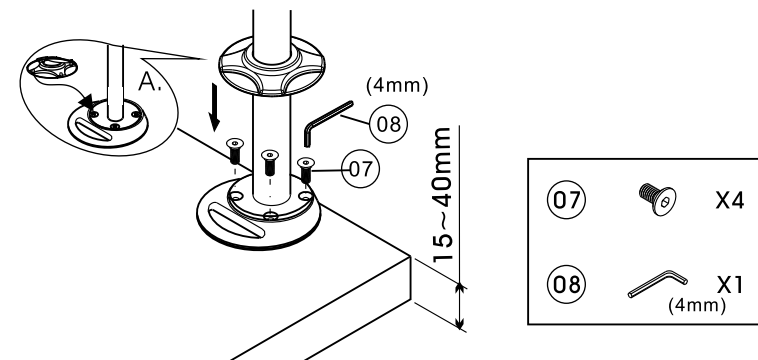
### Step 1

Adhere the pad under the grommet mount. Use large bolt to go through parts (as figures blow). Desk thickness from 15mm~40mm. Advise for desk thickness above 30mm. The diameter of the hole is from 20mm to 60mm.



### Step 2

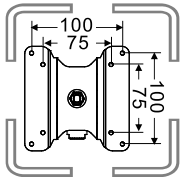
Fix the clamp on the desk, use 4mm Allen key to secure the pole and clamp with 4 screws. Then put the plastic cover through the pole and check the pin position with the screw together. (as figure A.)



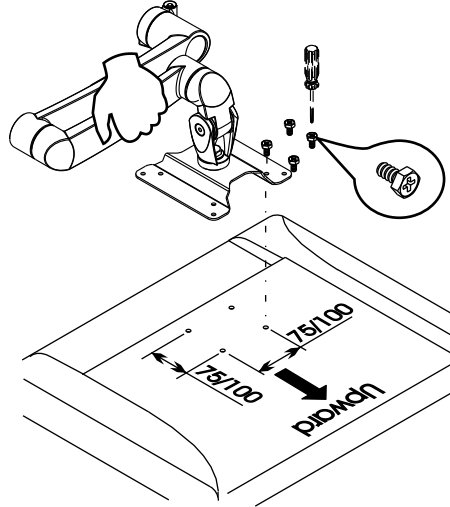
# Assembly Guide

## Step 3

Place LCD with facing downward on flat surface. Place arm and VESA on the LCD back as figure and align to the screw holes. Secure them together with four screws. And then tighten them up with screwdriver(not provided).

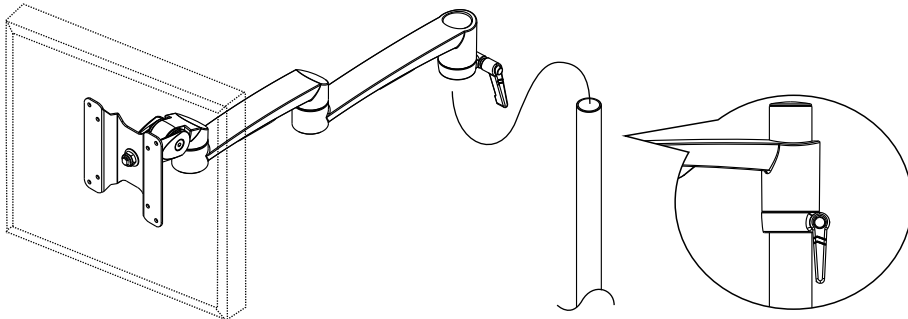


75mmx75mm  
100mmx100mm  
VESA interface.



## Step 4

Insert the arm (with LCD monitor on already) into the pole. Adjust the level of high to the most comfortable view.

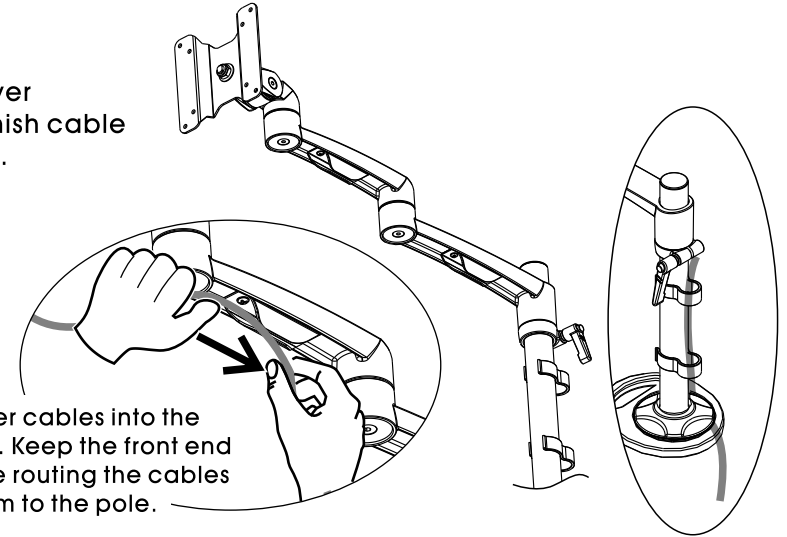


Use the lever  
tighten the arm.

# Assembly Guide

## Step 5

Use cable cover supplied to finish cable management.

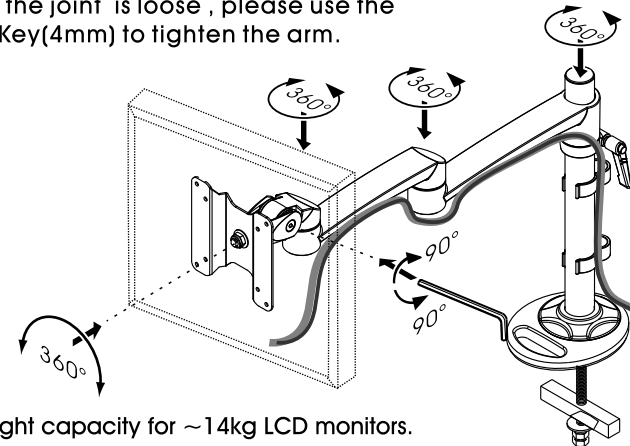


Insert thicker cables into the groove first. Keep the front end stable while routing the cables from the arm to the pole.

Inserting cables  
into cable clips.

## Step 6

When the joint is loose, please use the Allen Key(4mm) to tighten the arm.



●Weight capacity for ~14kg LCD monitors.

### Caution:

- There are many small components used in the construction of this unit.
- These loose items should be kept away from young children while assembling your unit.
- Please consult authorized service personnel for the installation of this unit.

10  X2