

A4

1 2 3 4 5 6 7 8 9

A

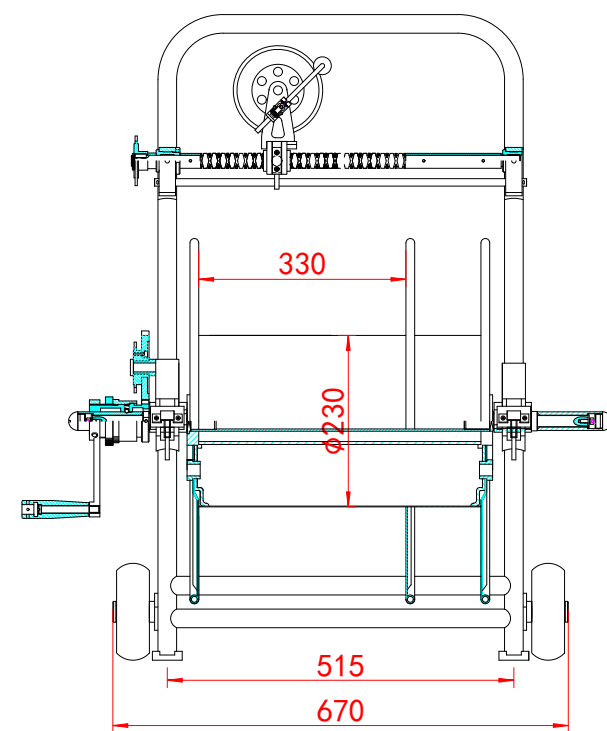
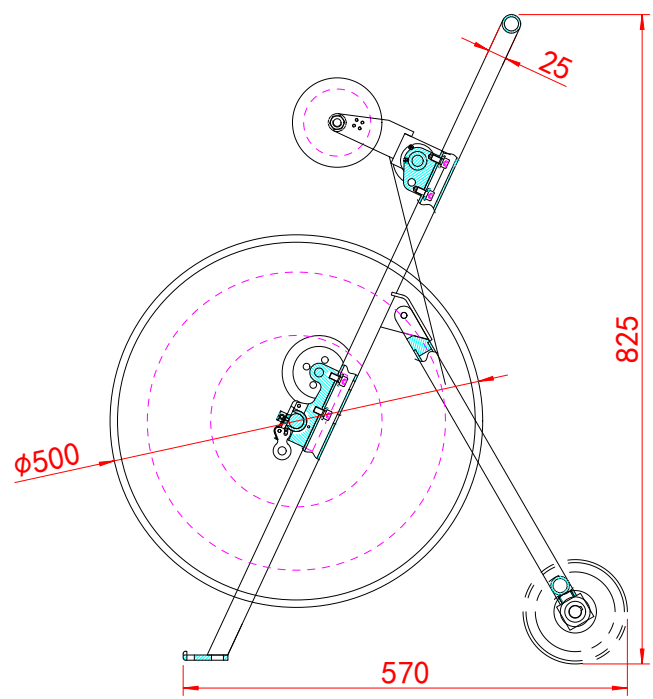
B

C

D

E

F



Model	LZP-10	Diameter	3.0mm	Winding length	3000M
Product Size	570*670*825mm	Disc Diameter	500mm	Shaft Diameter	230mm
Disc Diameter	500mm	Disc Width	330mm	Package Size	Separately packing
Shaft Diameter	230mm	Package Size	Separately packing	Gross Weight	47KG
Disc Width	330mm	Gross Weight	47KG	Net Weight	37KG
Package Size	Separately packing	Net Weight	37KG	Unit-Price	
Gross Weight	47KG	Unit-Price		Notes	Vehicle-mounted, with wheels and brake, foldable auto-cabling, is suitable for field application
Net Weight	37KG				
Unit-Price					

Name	LZP-10		
Model			
Drawer	Eddie	Audit	
Date	2024/04/11	Approver	

1 2 3 4 5 6 7 8 9