



# RFP-140

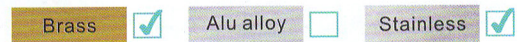
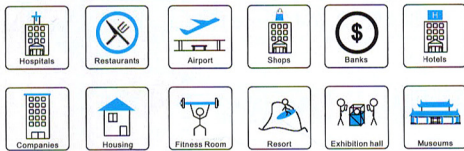
POB Series:  
Junction Box/Power Box/  
Ground Tank

## Features:

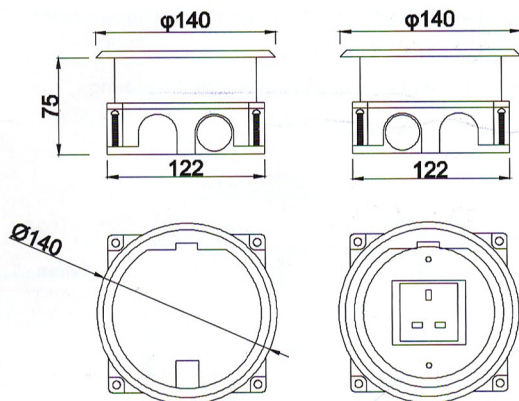
- 1.4 direction junction boxes :configured with up to four opening sides in combinations to provide for a wide variety of duct applications.
2. Junction boxes have adjustable cover plate assemblies which allow for adjustment upwards permitting accurate leveling to the finished floor.
3. A series of stainless or brass pans and rings are available to accept a wide range of floor finishes.

## Technical Parameters :

Parameter	Description
Panel Material	Brass alloy/(H62)/Stainless steel(304)
Panel Dimension(mm)	φ140
Cutout(mm)	125*125
Capacity of modules	2 ways modules
Horizontal mounting	Horizontal installation
Sink box Material	Steel+Zinc plated
Base box dimension(mm)	125*125*60
Available modules	45*45/22.5*45(mm)



## Outline Drawing: Unit:mm



(Image is for reference only.)

Package:8 Pcs inner box into a master carton.Poly bag with box packing.

## Installation Guide

The concrete is then added to keep it level with the ground

