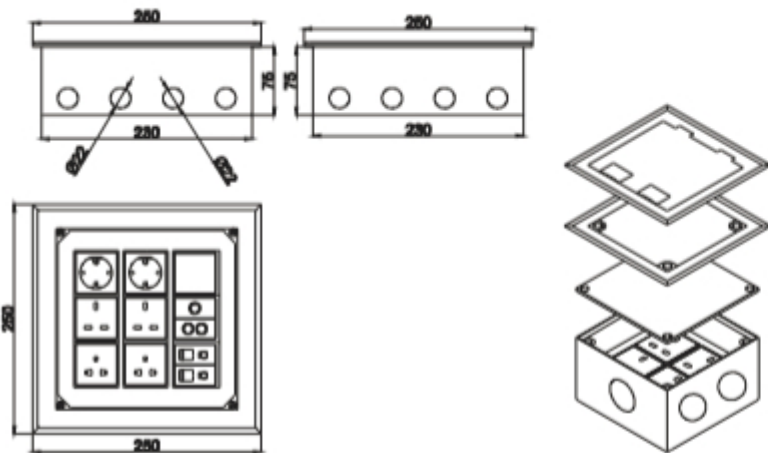


## Outline Drawing: Unit:mm



(Image is for reference only.)

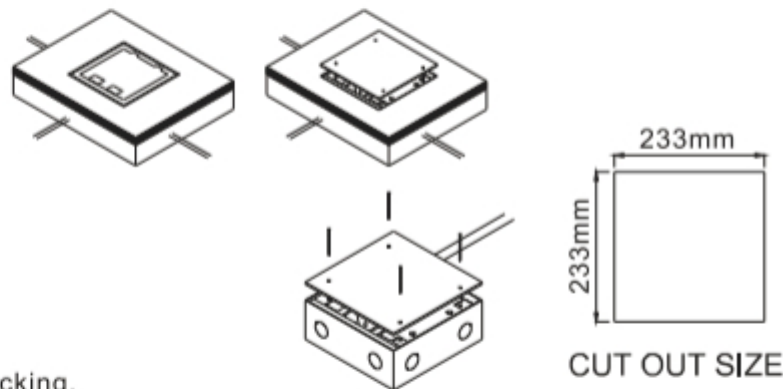
Package:4 Pcs inner box into a master carton.Poly bag with box packing.

## Features:

- 1.Application: Recessed stage floor box provides versatile solution to accessing power, audio and visual equipment through floor .
- 2.Lid degree against floor:90 degree.
- 3.Hinged lid thickness over 4~4.5m , static pressure over 1000N .
- 4.Cold-rolled Steel box thickness over 1.5~2.0mm with powder coated.

## Installation Guide

- 1.Remove the panel from the bottom box along with the electrical modules.
- 2.Fix the flooring with spare screws on the bottom box and place it in the embedded hole.
- 3.The flooring surface shall be at least level with the ground or 20mm below the ground.
- 4.Remove flooring surface ,Insert the 10--12mm lead head into the terminal of floor box.
- 5.Fix the panel to the bottom box with screws.



## Technical Parameters :

Parameter	Description
Panel Material	Brass alloy(H62)/Stainless steel(304)
Panel Dimension(mm)	250*250
Cutout(mm)	230*230
Capacity of modules	18 ways modules