

ATB-777 IP55

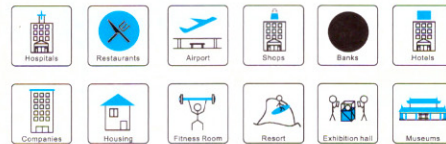
Features:

1. Protect stumbling: Flush mounting on floor and protect children stumbling .
2. **IP55** : Connected with power supply over IP 55 level.
3. Rotating modules mechanism: more plug top clearance. Furthermore, enhance lifetime receptacle .
4. Soft silica seal cable exit: Protect cable exit from scratching from cover plate of floor boxes.

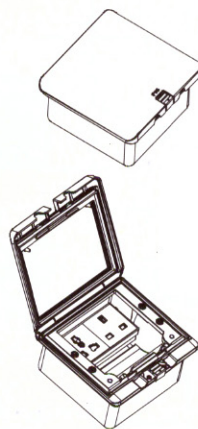
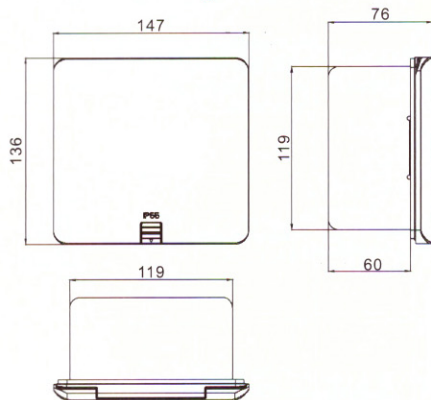


Technical Parameters :

Parameter	Description
Panel Material	Brass alloy etc
Available modules	Type 45*45mm series
Panel Dimension(mm)	143*136
Cutout(mm)	
Capacity of modules /	124*124
Interface size	4 ways modules
IP Rating	IP Rated 55
Static Pressure force	Over 1000N



Outline Drawing: Unit:mm



(Image is for reference only.)

IP55

