

# Video Wall Mount

New



## Product Features

- Aligning the displays quickly.
- Push-out open Mount providing easy maintenance access.
- Tool-less design for convenient adjustment.
- Fit for Displays up to 50 kgs.
- VESA pattern: 100X100mm - 800mmX400mm.



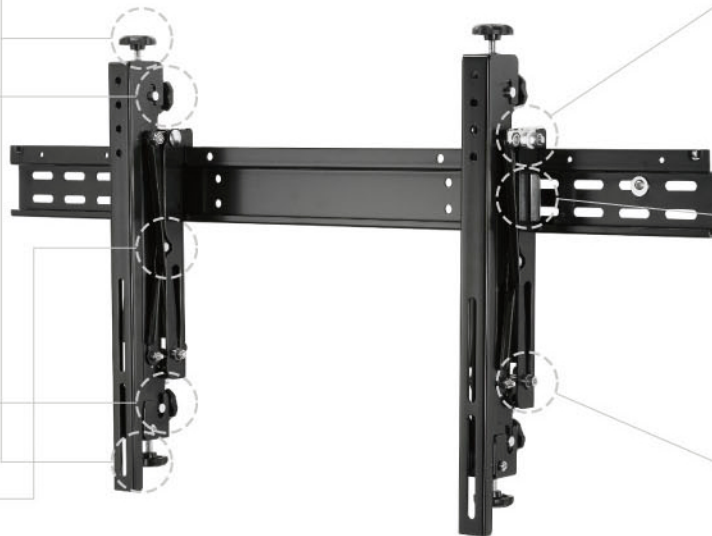
Fine tuning upward & downward



Fine tuning forward & backward



Conveniently cable management



Secure hook prevents bracket rebounding



Safety lock makes bracket securely



Special screw props on the wall makes bracket firmly

■ Take vw 50-8 as an example



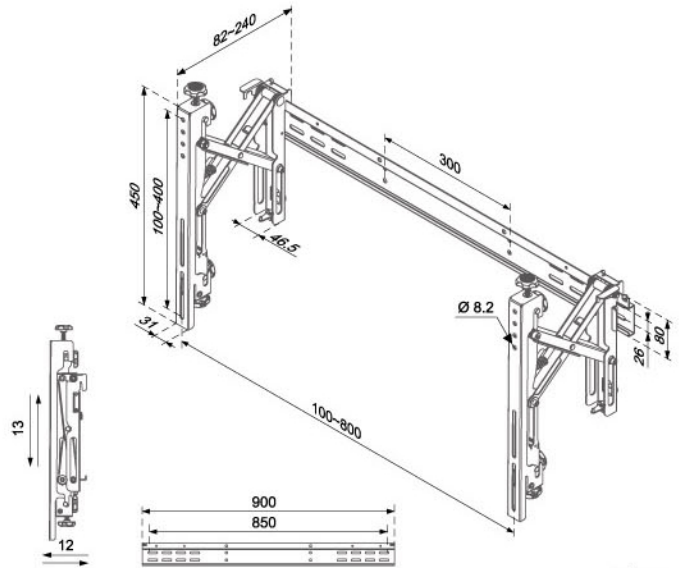
# Video Wall Mount



## VW 50-8 Horizontal Wall Mount

VESA Horizontal: 100~800mm  
Vertical: 100~400mm

max ~50kg (110lbs)



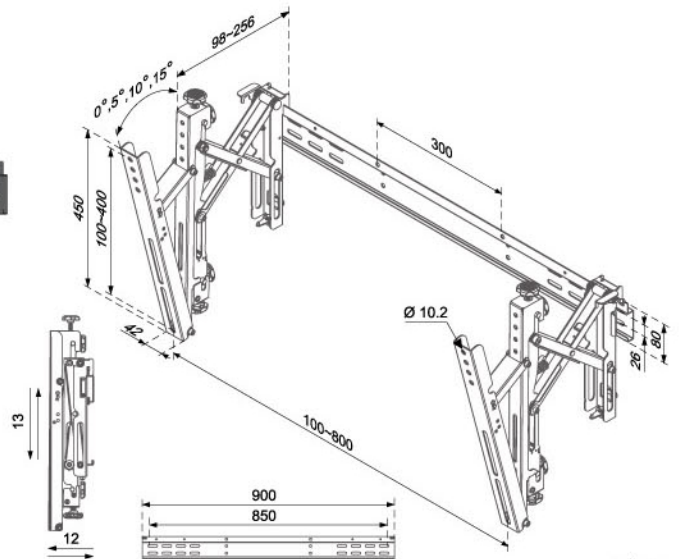
unit:mm



## VW 52-8T Tilt Wall Mount

VESA Horizontal: 100~800mm  
Vertical: 100~400mm

max ~50kg (110lbs)



unit:mm



## VW 53-8P Vertical Wall Mount

VESA Horizontal: 100~600mm  
Vertical: 100~600mm

max ~50kg (110lbs)

