

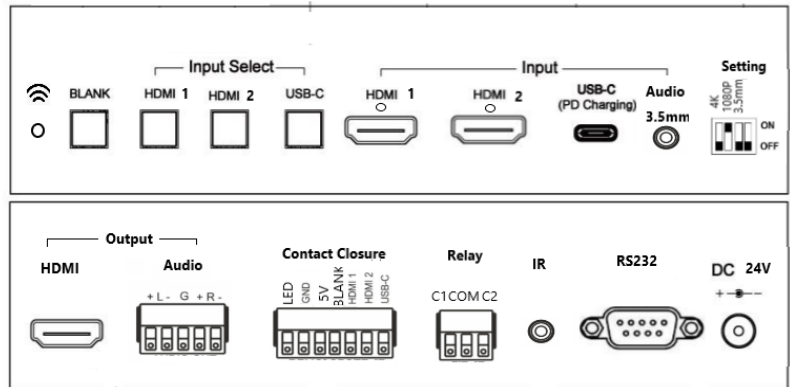
HUS03-4K6G Datasheet

Benefits

- HDMI & Type C multi-interface video & audio intergradation
- Build in audio embedded extracted along with relay control.

Features

- Resolution up to 4K60 Hz 4:4:4
- 60W PD charging
- Audio Embed & Extract
- Relay control
- EDID Management
- IR, RS232, External Keypad control
- Blank Button to cut off source



Product Highlights

HUS03 is a switcher device specifically designed for small meeting rooms. It has two HDMI and one USB type C ports for multi-interface video which allow anyone to bring their own portable devices and ready to present.

USB Type C

HUS03-4K6G Type- C input not only is compatible with any DP Alt Mode devices including MacBook and other mobile phone but also supports 60 Watt PD charging. It allows user to charge their devices while presentation at the same time which creates a better BYOD environment.

Meeting Room Ready

HUS03-4K6G's build-in audio embedded, audio extracted, and relay control functions, simplify multiple devices into one unit solution. All the features can also be intergraded into existing system through RS232 commands.

Multi-Control

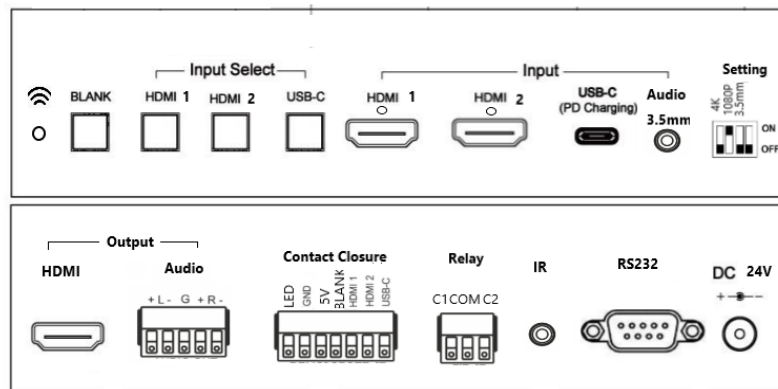
HUS03-4K6G has 4 different ways to control, which are IR remote, front panel button, contact closure key pad and RS232 command. It opens up the opportunity for all kinds of installation environment.

Auto Switching

Under Auto switching mode, whenever a new input source is connected to HUS03-4K6G, It will automatically change to its channel. Therefore in most cases, it a simple plug and play system after installation.

Technical Specifications

Input and Output Interface:



- Video Input
 - 2 ports HDMI
 - 1 port Type-c DP ALT Mode for video signal
 - Support 60W PD charging (support MacBook pro charging & presenting at the same time)
 - Video Resolution
 - 4K60Hz 4:4:4 8-bits
 - EDID Management
 - Video Output
 - HDMI 4K60Hz 4:4:4 8-bits
 - Audio input
 - 3.5 phone jack stereo audio
 - Audio Out
 - 2 channels stereo balance/unbalance audio
 - Relay
 - Control through RS232 & IR remote
 - Control
 - Function “Blank” for black screen
 - Auto switching
 - Last connected: Switch to the channel when there is a new source plug in
 - Control methods
 - Front Panel Buttons & DIP Switch (EDID)
 - IR remote
 - Optional: External Keypad
- RS232 command