
Omnidirectional Ethernet Ceiling Mic (model: EM100)



Summary:

An EM100 omnidirectional microphone can be used for free speech at any Angle and any distance within a range of 50~60m², with clear and natural voice.

EM100 use RJ45 port as audio interface, and a network cable is plug-and-play, which is flexible and convenient for deployment, greatly reducing the difficulty and cost of wiring and improving the construction efficiency.

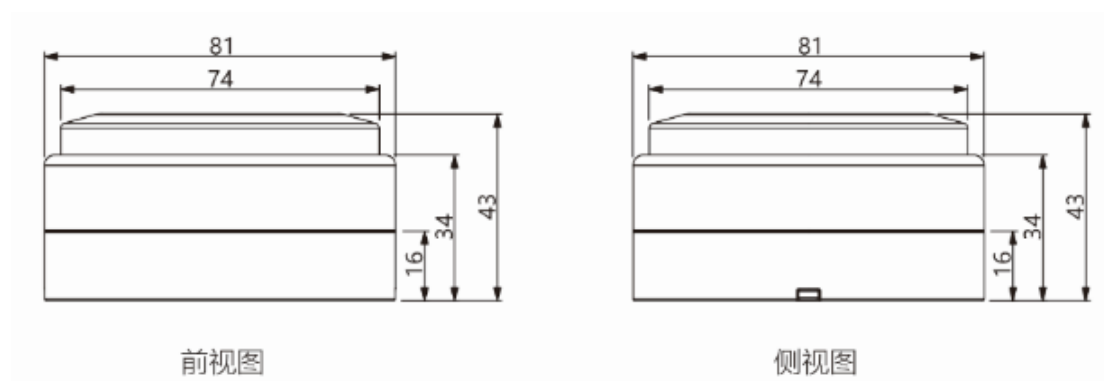
Meanwhile, it supports multiple microphones hand-in-hand cascade, which can effectively increase the coverage area of picking up sound.

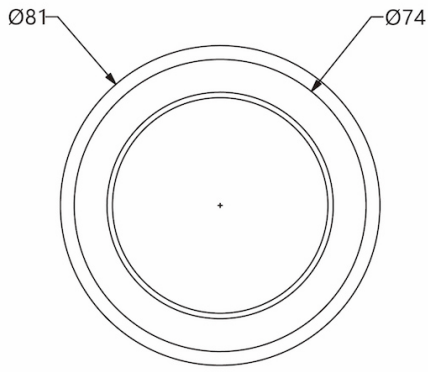
EM100, has been widely used in normal recording, remote interaction and other scenarios.

Parameter:

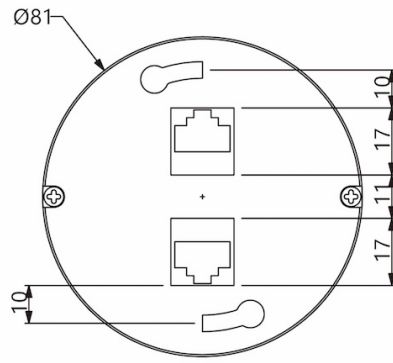
Parameter	Value
Directional	Omnidirectional
Frequency response	100Hz- 16KHz
Sensitivity	-37 dB,1kHz/1V @1 Pa
output impedance	200Ωbalance output
Max sound level	120 dB @1 kHz
dynamic range	105dB@1kHz
SNR	95 dB
Power	DC 12V
Interface	RJ-45 port
Operating temperature/storage temperature	0-50°C/-20-60°C
Working humidity/storage humidity	5%~95%R.H. /0~95%R.H.
Color	White
Weight	91g
Size	Φ81×43mm

Diagram:

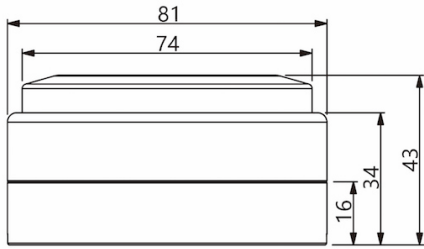




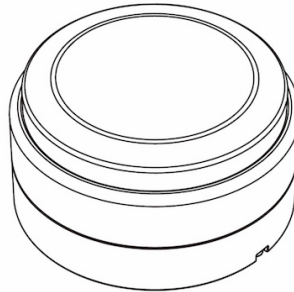
顶视图



底视图



后视图



俯视图

Copyright © shenzhen Geazan Technology Co., LTD. All Rights Reserved
 Shenzhen Geazan Technology Reserves the right to change the design and
 specification