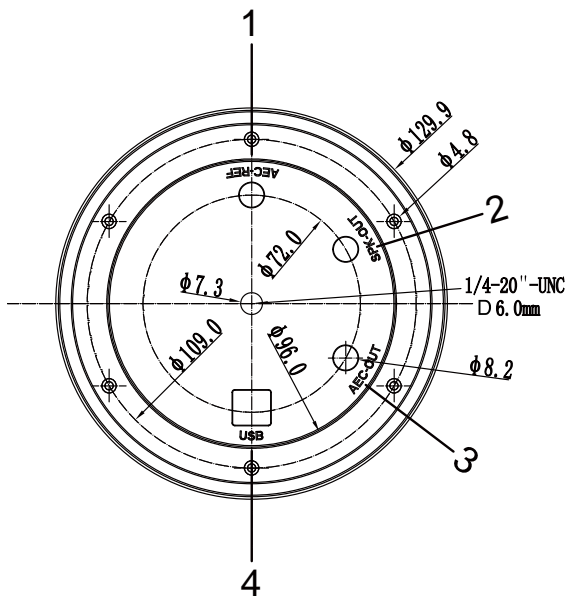
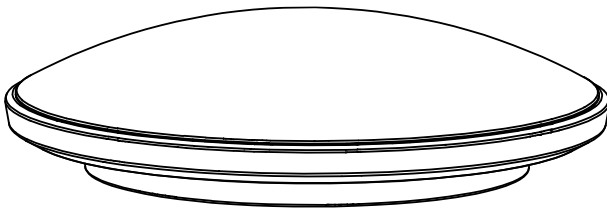


## 1 Packing List

| Item                           | Quantity |
|--------------------------------|----------|
| Sound Reinforcement Microphone | 1        |
| USB Cable                      | 1        |
| 3.5mm Audio Cable              | 1        |
| Quick Start Guide              | 1        |
| Quality Card                   | 1        |

## 2 Appearance and Interface



| No. | Name    | Function   |
|-----|---------|--|
| 1   | AEC-REF | Reserved   |
| 2   | SPK-OUT | Audio signal output interface, output to the speaker |
| 3   | AEC-OUT | Reserved   |
| 4   | USB     | USB interface is used to power the microphone        |

## 3 Product Feature

### Hands-free Solution for Sound Reinforcement

A convenient and contactless solution for lectures and presentations, no need to hold the wireless microphone or to attach the lavalier microphone on lecturer, free from all these restrictions, reducing infection risks with hygienic and contactless operation.

### Advanced Microphone Array

Expand the voice pickup range for lecturer or teacher to move freely in the room, and just one microphone unit is needed for a typical classroom at school, the voice of both the lecturer and the audiences can be heard clearly without feedback or noise, which makes it a reliable solution for better interaction and communication.

### Adaptive Sound Reinforcement Algorithm

Support Howling suppression, reverberation, intelligent noise reduction and automatic gain control to enable the clear hearing in noisy environment.

### Built-in Audio Processing Module

Integrated with powerful digital signal processing module to enable super low processing latency, no need for additional rack-mounted Feedback Suppression Processor, no need for professional engineer to setup and tune the system, easy installation and implementation.

### Easy Management and Cost Effective

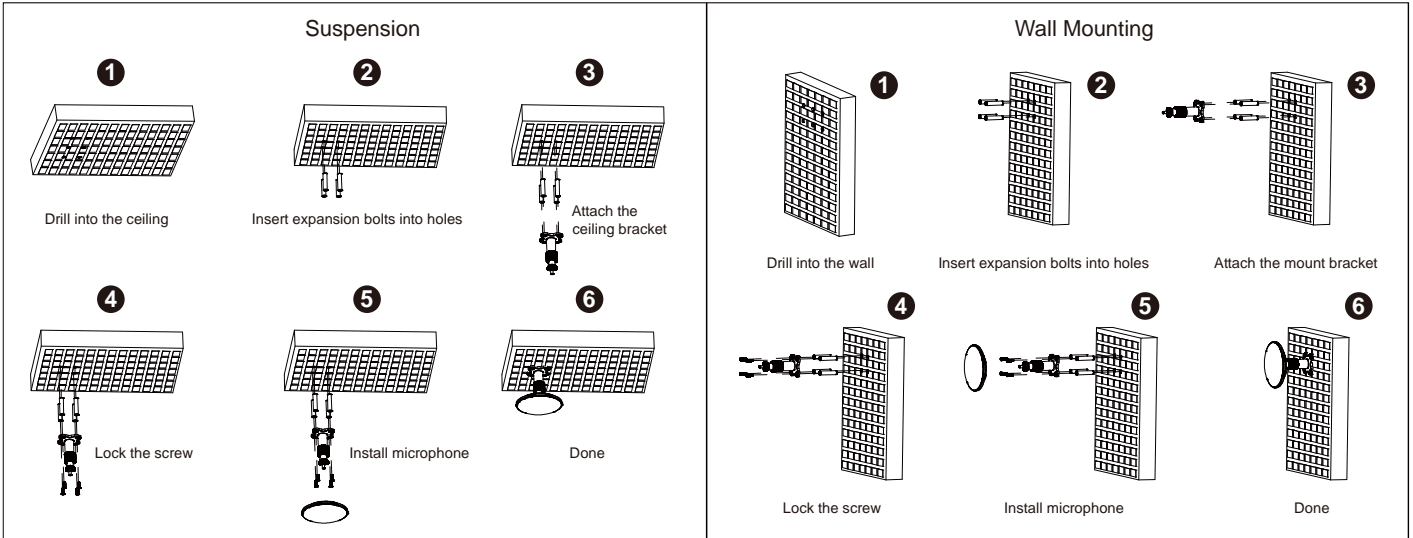
Simplify the device management and maintenance, and minimize the operational cost related to lavalier and handheld wireless microphones for battery charging, battery replacement, device borrowing/returning and sanitizing device, etc.

**Warning** This is Class A product. Operation of this equipment in a residential area is likely to cause harmful interference, in which case the user will be required to correct the inference at his own expense.

## 4 Product Specification

| Audio Parameters             |   |
|------------------------------|---|
| Microphone Type              | Omnidirectional Microphone  |
| Microphone Array             | Built-in seven omnidirectional microphones form a circular array, 360-degree omnidirectional pickup |
| Pickup Range                 | 8m  |
| Sensitivity                  | -26 dBFS  |
| Signal Noise to Ratio        | 64 dB(A)  |
| Frequency Response           | 20Hz - 16kHz  |
| Sampling Rate                | 32KHz, high resolution broadband audio  |
| Howling Suppression          | Support   |
| Automatic Gain Control (AGC) | Support   |
| Reverberation Suppression    | Support   |
| Hardware Interface           |   |
| Audio Output                 | 1 x 3.5mm line out  |
| USB Interface                | 1 x USB audio interface   |
| General Specification        |   |
| Power Input                  | USB 5V  |
| Dimensions                   | $\Phi$ 130mm x H 33mm   |

## 5 Product Installation



Note

The installation diagram is for reference only. The bracket is not standard. Please refer to the actual product for the packing accessories.

## 6 Network Application

