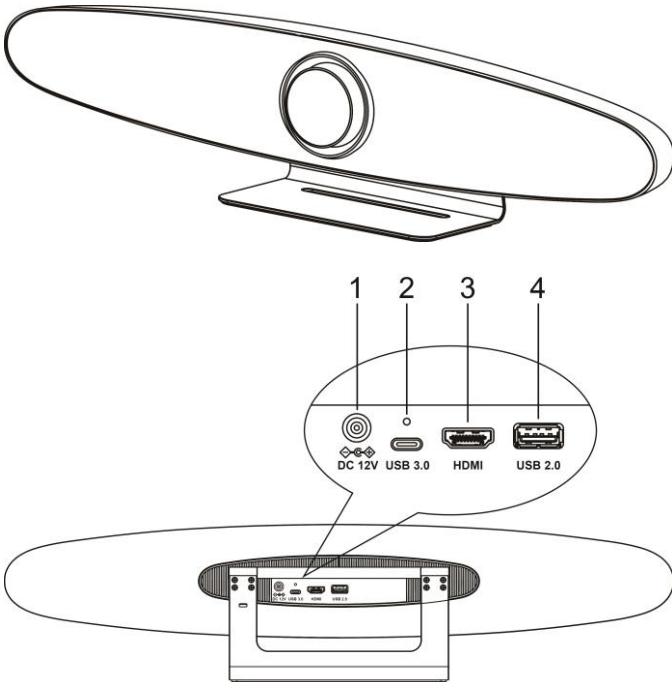


## 1 Appearance and Interface



Item	Name	Item	Name
1	DC 12V Interface	3	HDMI Interface
2	USB 3.0 Interface	4	USB 2.0 Interface

## 2 Product Features

### Applicable Scene

It is specially designed for small and medium-sized meeting rooms, especially for the Huddle Room with 4 to 6 people, to help enterprises re-tap the potential of using the small and micro meeting space inside. On one hand, it can hold meetings more efficiently, on the other hand, it can also save the rental cost.

### Product Value

It is convenient for small and medium-sized enterprises to conduct daily business negotiation and team cooperation in different places flexibly, so as to create a relaxed, free and smooth conversation environment, make decisions quickly and improve efficiency.

### All-in-one Design

The three-in-one design of 4K ultra HD camera, beamforming microphone and full-frequency loudspeaker reduces wiring and makes video communication easy.

### 4K UHD

Using 1/2.5 inch, 8.51M pixel high quality UHD CMOS sensor, 4K (3840x2160)@60fps ultra high resolution clear image, and downward compatible with 1080P, 720P and other resolutions. It can meet the needs of users for different video experiences, and can provide clearer, real, smooth and accurate communication.

### Wide FoV

121° wide field of view (110° horizontal field of view), 5 times zoom, optical lens customized for the conference scene, built-in electric head (horizontal and pitch  $\pm 15^\circ$  motion range), no need to worry about the camera position, participants can easily enter the scene clearly.

### Beamforming Microphone

Beam Forming (BF) microphone is built in, with a pickup distance of 6 meters. Low-distortion transverse beamforming algorithm can direct the microphone directly to the speaker, with better sound, clearer communication, fuller and more authentic.

### Audio 3A Algorithm

Built-in audio 3A algorithm (AEC/AGC/ANS), full duplex dialogue, can meet the communication needs of different room structures, whether sitting at a conference table, sitting against the wall or standing, can have comfortable experience for calling.

### Full Frequency Speaker

Full frequency Hi-Fi loudspeaker, professional acoustics design, reduce noise interference, provide outstanding sound effect.

### Plug and Play Type

Through plug and play USB interface connect with the computer or business display screen, very easy to use. Less wiring, convenient video communication, reduce the user's learning cost.

### Intelligent Analysis

Built-in intelligent analysis algorithm, listening to the speaker position, automatic framing of participants, automatic tracking of speakers, switching the speaker screen, to ensure that the speaker is always clearly in the picture.

### Rich Interfaces

Support HDMI 2.0 and USB 3.0 audio video output simultaneously.

### Easy Installation

Flexible installation options such as countertops, walls, and TV/display screens are available for quick installation and deployment in a crowded meeting room.

## 3 Safety Precautions

### Careful Transportation

Transportation, custody and installation process to prevent heavy pressure, violent vibration, immersion damage to the product.

### Careful Installation

This product should be placed on the smooth desktop. The shell of the product is an organic material and is strictly prohibited from contact with any liquid, gas or solid material that may cause corrosion to the shell.

### Do not Unauthorized Disassemble

This product has no parts which can be repaired by the user. The damage caused by the user's own disassembly is not covered by warranty.




Electromagnetic fields at specific frequencies may affect image of machine.

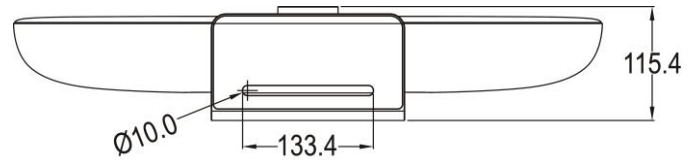
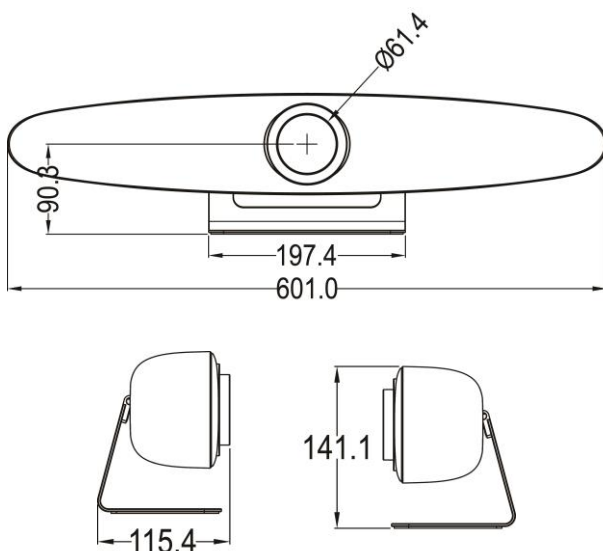
## 4 Product Specifications

Camera	
Video System	4K@60fps, 4K@30fps, 1080P@60fps, 1080P@30fps, 720P@60fps, 720P@30fps
Sensor	1/2.5 inch, CMOS, 8.51M pixel
Lens	120°(DFOV), 110°(HFOV), 5x Digital Zoom, Pan/Tilt $\pm 15^\circ$

PTZ	MPT + EPTZ
Digital Noise Reduction	2D & 3D Digital Noise Reduction
Video S/N	≥55dB
Backlight Compensation	Support
<b>Audio</b>	
Full Frequency Speaker	96 dB SPL in the case of 0.5 meter
Microphone Array	Beamforming microphone, pick up distance up to 6 meters
<b>USB Features</b>	
Connection Type	USB 3.0, downward compatible with USB 2.0
Video Compression	H.264 / MJPEG / YUY2 / NV12
USB Audio	32K sampling rate, support UAC 2.0
USB Communication Protocol	UVC 1.1~1.5
UVC PTZ Control	Support
<b>Input/Output Interface</b>	
HD Output	1 x HDMI, Version 2.0
USB Interface	1 x USB 3.0, Type C
	1 x USB 2.0, Type A
Power Jack	DC 12V, 1.5A (Max)
<b>Generic Specification</b>	
Control Method	2.4G Remote Controller
Installation Method	Desktop, Wall, TV and other display device
Operating Temperature	0°C ~ 40°C
Storage Temperature	-40°C ~ 60°C
Dimension	601mm x 141mm x 115mm (holder included)
Net Weight	2.5Kg

 **Note** Product specifications and parameter information are subject to change without notice.

## 5 Installation Dimension



## 6 Maintenance and Troubleshooting

### Camera Maintenance

- If the camera is not in long-term use, please disconnect the power switch after use.
- Use soft cloth or cotton paper to remove dust from the camera housing.
- When cleaning the camera lens, please use dry soft cloth to wipe, if dirt is serious, use neutral cleaner gently. Do not use strong or corrosive detergent, lest the lens scratch, affect the image effect.

### Avoid Using

- The camera should avoid shooting particularly bright objects, such as sunlight, lights, etc.
- The camera should not work under unstable lighting conditions, otherwise the image will flash.
- Do not use around facilities that can transmit high-power radio waves, such as television station or radio-transmitting station.

### Troubleshooting

The video image displayed by the camera lens has jitter.

- 1) Check whether the camera installed position be stabled.
- 2) Check whether have vibrating machinery or object near the camera.

## 7 Warranty Card

If failure caused by non-human causes occurs within one year from the date of purchase of the machine, you may enjoy the warranty service of the product. Any of the following circumstances is not covered by the warranty:

- Without disassemble, modification such as fault causes.
- Use of an environment does not conform to requirements of the product.
- Irresistible factors, such as fire, earthquake, lightning strike, etc.
- Warranty card does not match the product number or it is altered.

<b>User Name</b>	
<b>User Address/Post Code</b>	
<b>Contact Number</b>	
<b>Product Model</b>	
<b>Product Series</b>	
<b>Purchasing Date</b>	
<b>Invoice No.</b>	
<b>Sales Department</b>	

User save, lost or not compensated

Sales Department: (seal)