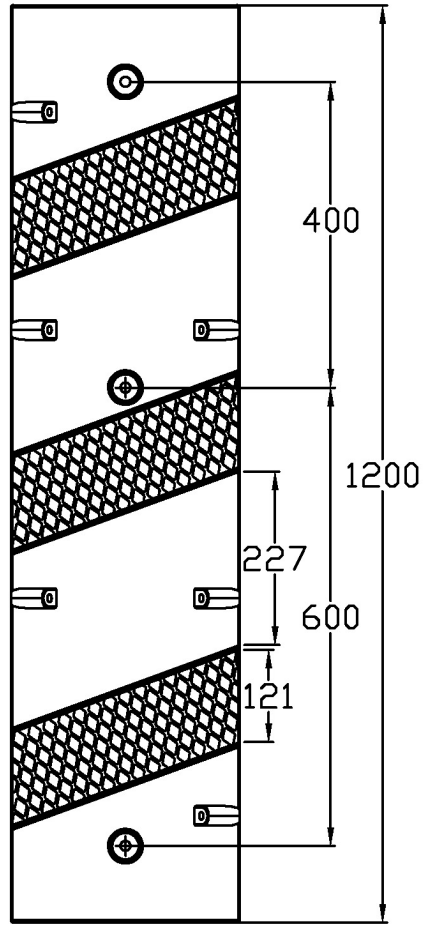
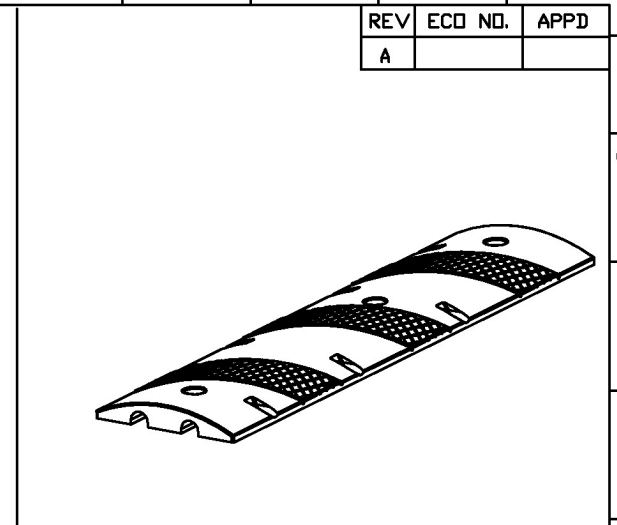
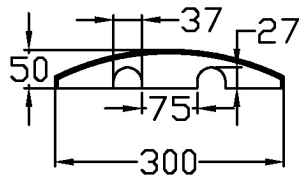


REV	ECD NO.	APPD
A		



NOTE:
1.For More detailed Dimension,
please refer the IGS file.

$x \pm 0.2$	$x' \pm 0.2'$	UNITS mm	NAME<INTENDED USE>	
$.x \pm 0.1$	$.x' \pm 0.1'$	WEIGHT	DH-ECG-4	
$.xx \pm 0.01$	$.xx' \pm 0.01'$	4.0kg	PART NO.<INTENDED USE>	TITLE:
$.xxx \pm$	$.xxx' \pm$	FINISH	DH-ECG-4	
THESE DRAWINGS AND SPECIFICATIONS ARE THE PROPERTY OF EASTSEA RUBBER FACTORY, AND SHALL NOT BE REPRODUCED OR COPIED OR USED IN ANY MANNER WITHOUT THE PRIOR WRITTEN CONSENT OF EASTSEA RUBBER FACTORY.			APPD: XU DONG DONG	DWG NO: DH-BPCP-5S
			CHKD: LIN RONG JIAN	
			DR: linrongjian 15/04/22	
				SCALE SHEET REV.
				1/1 1/1 A