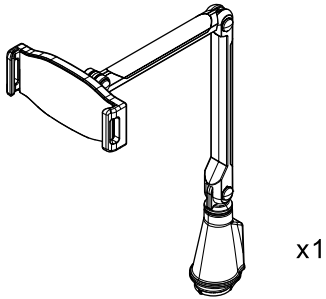


TA-321

check list

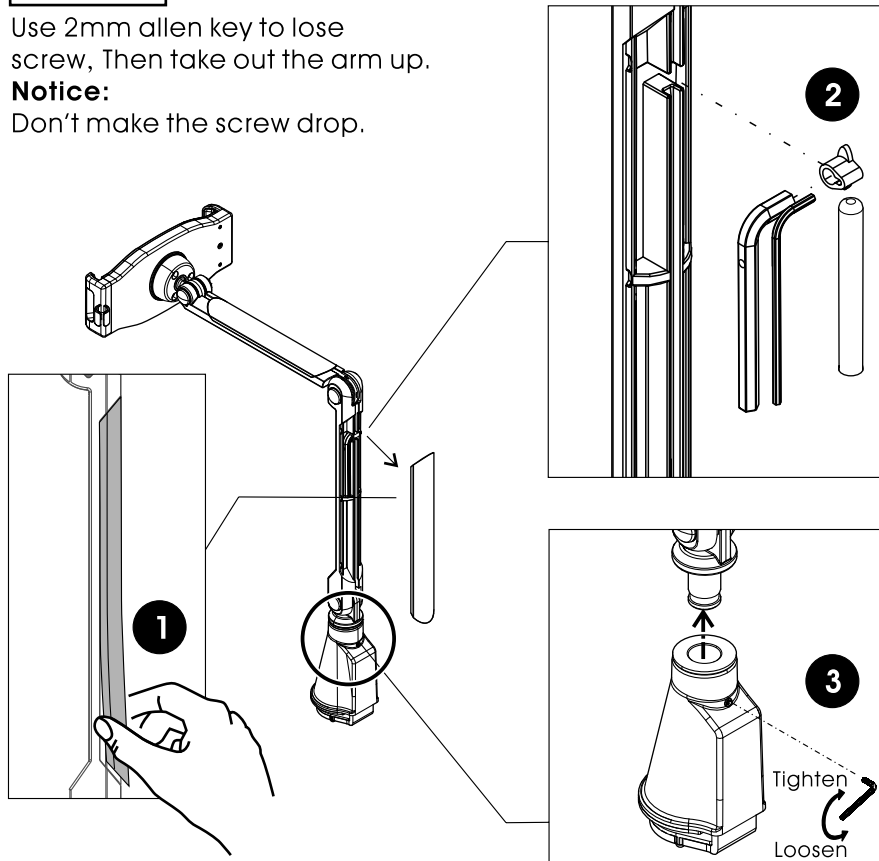


Assembly Guide

Step 1

Use 2mm allen key to lose screw, Then take out the arm up.

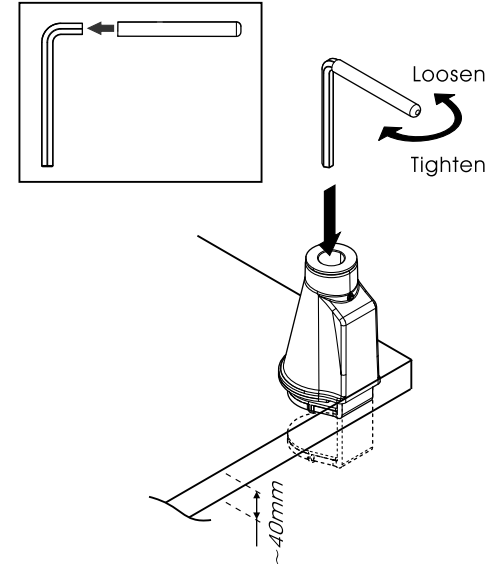
Notice:
Don't make the screw drop.



Assembly Guide

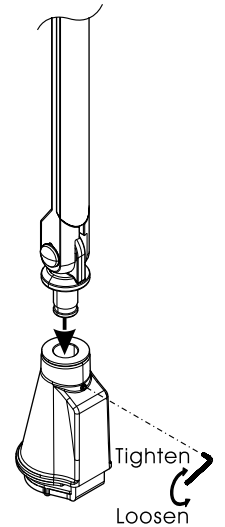
Step 2

Fits desk thicknesses ~ 40mm,
then clamp the arm to the desk.



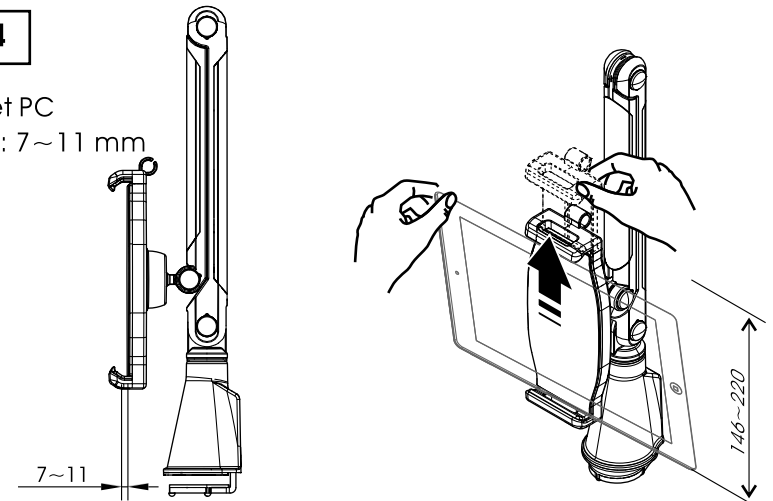
Step 3

Insert arm portion into clamp
and tighten using 2mm allen key. Loosen screw by one full
turn to allow arm to swivel.



Step 4

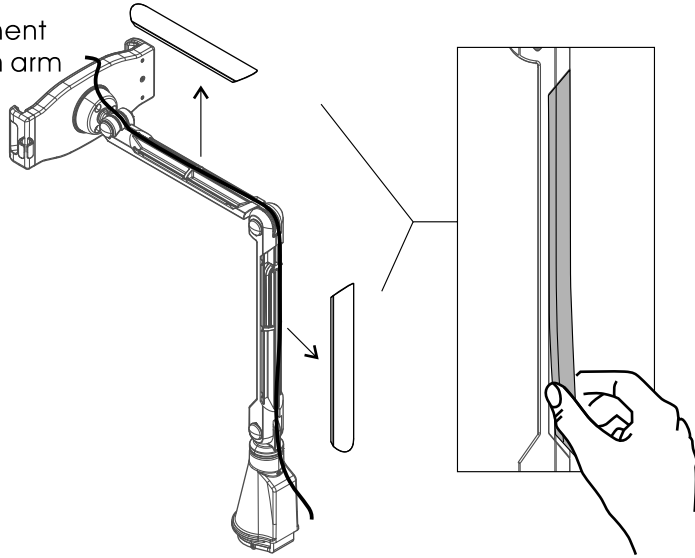
For Tablet PC
thickness: 7~11 mm



Assembly Guide

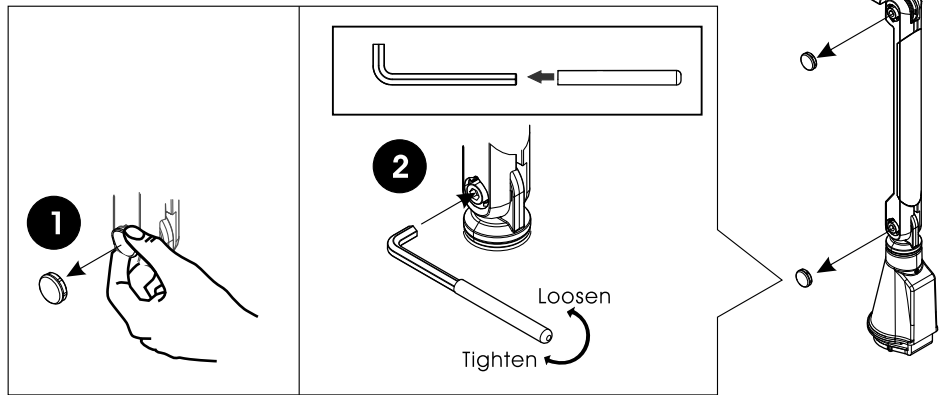
Step 5

Cable management
arrange cable on arm
as required.



Step 6

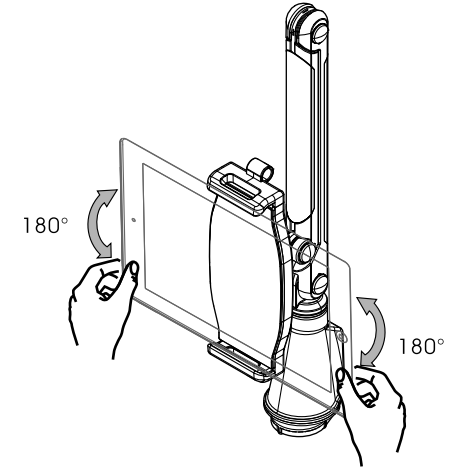
When assembling the arm with Tablet PC of differing weights, you may find that the tension of the universal joint needs to be adjusted to ease movement or to maintain the desired Tablet PC position.



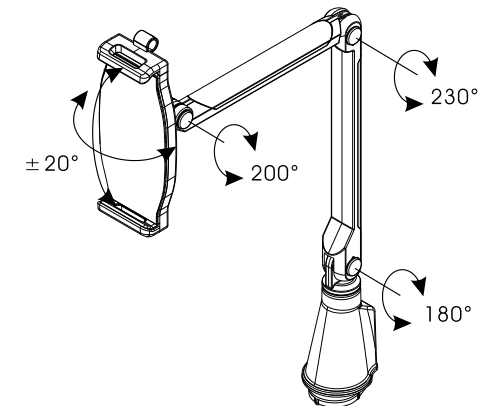
Assembly Guide

Step 7

It is important to grasp Tablet PC when adjusting.



Range of use angle:



In accordance with our policy of constant improvement, we reserve the right to alter specifications of products shown.