



HDMI Matrix Solution

SMART CCTV, AV, NETWORK CABLING SYSTEM SOLUTION

HDMI Matrix

- 4x2/4x4 HDMI Matrix
- 10x10 HDMI Matrix
- HDBaseT Matrix over CAT5e/6
- HDMI Matrix over IP with Video Wall

4X2 HDM Matrix Switcher

HS42M-4K6G

4K60Hz 4 x 2 HDMI Matrix Switcher Built in Audio Extractor & Scaler

HS42M-4K6G 4K 60Hz 4 x 2 HDMI Matrix Switcher with Audio Extractor & Scaler

To route four HDMI input to two HDMI output with audio extract and scaler.

- Supports 1080p upscaling to 4K, 4K downscaling to 1080p
- Supports HDCP 2.2 to HDCP 1.4 conversion
- Supports 4K 4:4:4 to 4:2:0 conversion
- Support HDMI audio extract (RCA or optical output)
- Support CEC , 3D, HDR10
- Built-in EDID management
- 3 operation mode: Matrix, Splitter and Separation
- Easily control by front panel, IR, RS232.
- Built-in OSD

【Specification】

Resolution: up to 4K 60Hz 4:4:4

Audio support: LPCM 7.1@ 192KHz · Dolby TrueHD · DTS-HD MA

Compliance: HDMI 2.0, HDCP 2.2

Max Data rate: 18Gbps (6Gbps per color)



HS42M-4K6G



4X4 HDM Matrix Switcher

HS04M	1080p 4 X 4 HDMI Matrix Switcher with Ethernet Control
HS04M-4K6G	4K60Hz 4 x 4 HDMI Matrix Switcher Built in Audio Extractor

HS04M 4 x 4 HDMI Matrix Switcher

To route four HDMI input to four HDMI output

- Flexible control options: front panel buttons, IR remote control, RS232, Web GUI, Telnet, APP
- Front panel LCM & LED display input/output status

【Specification】

Resolution: up to 1080p 60Hz 12bit

Audio support: LPCM7.1 · Dolby TrueHD · DTS-HD MA

Compliance: HDMI 1.4, HDCP 1.4



HS04M

HS04M-4K6G 4K 60Hz 4 x 4 HDMI Matrix Switcher with Audio Extractor

To route four HDMI input to four HDMI output

- Support ARC function
- Extract audio from HDMI or ARC port to SPDIF output
- Flexible control option: front panel, IR remote control, RS232, Web GUI, Telnet, APP
- Front panel LCM & LED display input/output status

【Specification】

Resolution: up to 4K 60Hz 4:4:4

Audio support: LPCM7.1@192KHz · Dolby TrueHD · DTS-HD MA · ATMOS · DTS:X

Compliance: HDMI 2.0, HDCP 2.2/1.4

Max Data rate: 18Gbps (6Gbps per color)



HS04M-4K6G

4X4 HDM Seamless Matrix Switcher

HM44	1080p 4 X 4 HDMI Seamless Matrix Switcher/Multiviewer Support Video wall
------	---

HM44 4 x 4 HDMI Seamless Matrix Switcher with Multiview & Video Wall Function

Support four HDMI input to four displays with seamless switching

- Seamless switching without frame loss.
- Support PIP/POP/Quad multi-view display.
- Support 2x2 video wall.
- Output support up/down scaler function.
- Flexible control options: Front panel buttons, IR remote control, RS232, Web GUI, APP

【Specification】

Resolution: up to 1080p 60Hz 12bit

Audio support: LPCM7.1、Dolby TrueHD、DTS-HD MA

Compliance: HDMI 1.4, HDCP 1.4



HM44

Multiview Mode



Matrix Mode



Video Wall Mode



10 x 10 HDM Seamless Matrix Switcher

HS10M	4K30Hz 10 X 10 HDMI Matrix Switcher with Ethernet Control
HS10M-4K6G	4K60Hz 10 x 10 HDMI Matrix Switcher Built in Audio Extractor

HS10M 4K 10 x 10 HDMI Matrix Switcher

To route 10 HDMI input to 10 HDMI output

- Flexible control options: front panel, IR remote control, RS232, Web GUI, Telnet, APP
- Front panel LCM & LED display input/output status
- In 2U rack

【Specification】

Resolution: up to 4K 30Hz

Audio support: LPCM7.1、Dolby TrueHD、DTS-HD MA

Compliance: HDMI 1.4, HDCP/1.4



HS10M

HS10M-4K6G 4K 60Hz 10 x 10 HDMI Matrix Switcher with Audio Extractor

To route 10 HDMI input to 10 HDMI output

- Support ARC function
- Extract audio from HDMI or ARC port to SPDIF output
- Flexible control option: front panel, IR remote control, RS232, Web GUI, Telnet, APP
- Front panel LCM & LED display input/output status
- In 1U rack

【Specification】

Resolution: up to 4K 60Hz 4:4:4

Audio support: LPCM7.1@192KHz、Dolby TrueHD、DTS-HD MA、ATMOS、DTS:X

Compliance: HDMI 2.0, HDCP 2.2/1.4

Max Data rate: 18Gbps (6Gbps per color)



HS10M-4K6G

A man in a checkered shirt is shown in profile, working on a server rack. He is holding a black cable and appears to be connecting it to one of the ports on the rack. The scene is dimly lit, with the primary light source coming from the server rack itself, creating a focused and technical atmosphere. The text 'HDBaseT Matrix' is overlaid in a bright green color across the center of the image.

HDBaseT Matrix

HDBaseT Matrix over CAT5e/6

HE04M	1080p 4 x 4 HDMI (HDBaseT)CAT5e Matrix Switcher
-------	---

HE04M 4 x 4 HDMI (HDBaseT) Matrix Switcher

To route four HDMI input to four HDMI outputs and extend the signals to remote HDMI displays over CAT5e cable.

- Uncompressed high-definition video
- Built-in HDMI loop out for local display.
- Support 3D
- Support IR extension function
- Flexible control options: front panel, IR remote control, RS232, Web GUI, Telnet, APP
- Front panel LCM & LED display input/output status
- Receiver optional model:
 - HE02EIR: 70m HDMI and IR one-directional
 - HE02ER: 100m HDMI
 - HE02NR : 100m HDMI, Bi-directional IR and RS232,Ethernet

【Specification】

Resolution: up to 1080p 60Hz 12bit

Audio support: LPCM7.1、Dolby TrueHD、DTS-HD MA

Compliance: HDMI 1.4, HDCP, DVI



HE04M



HDBaseT Matrix over CAT5e/6

HE10M

4K 10 x 10 HDMI (HDBaseT)CAT5e Matrix Switcher

HE10M 4K 10 x 10 HDMI (HDBaseT) Matrix Switcher

To route ten HDMI input to ten HDMI outputs with 2 HDBaseT receivers and 8 HDBaseT transmitter built-in for extending the signals from HDMI sources or to displays over CAT5e cable.

- 2 of 10 input port built-in HDBaseT receivers
- 8 of 10 output port built-in HDBaseT transmitters
- Support 3D
- Support IR extension function
- Flexible control options: front panel, IR remote control, RS232, Web GUI, Telnet, APP
- Front panel LCM & LED display input/output status
- Optional transmitter, receiver model:
 - HE02EIT: 70m HDMI and IR one-directional
 - HE02ET: 100m HDMI
 - HE02T: 100m HDMI, Bi-directional IR and RS232
 - HE02NT : 100m HDMI, bidirectional IR and RS232,Ethernet
 - HE02EIR: 70m HDMI and IR one-directional
 - HE02ER: 100m HDMI
 - HE02NR : 100m HDMI, bidirectional IR and RS232,Ethernet

【Specification】

Resolution: up to 4K 30Hz 8bit

Audio support: LPCM7.1 · Dolby TrueHD · DTS-HD MA

Compliance: HDMI 1.4, HDCP, DVI



HE10M

A man in a dark room is shown in profile, focused on connecting a cable to a server rack. The scene is dimly lit, with the primary light source coming from the server rack itself, which has several horizontal slots and ports. The man is wearing a dark, patterned shirt. The overall atmosphere is technical and professional.

HDMI Matrix over LAN

HDMI Matrix Swither over IP with Video Wall

HKM02BPT-4K 4K HDMI KVM & USB, RS232 , IR, Audio Transmitter with PoE

HKM02BPR-4K 4K HDMI KVM & USB, RS232 , IR, Audio Receiver with PoE

HKM02BT-4K 4K HDMI KVM & USB, RS232 , IR, Audio Transmitter

HKM02BR-4K 4K HDMI KVM & USB, RS232 , IR, Audio Receiver

- Transmitter built-in HDMI loop out

【Specification】

Cable: CAT5e UTP or higher or SFP optical fiber

Resolution: up to 4K 30Hz 4:4:4 (Max)



HKM02BPR-4K
HKM02BR-4K



HKM02BPT-4K
HKM02BT-4K

HKM02BT 1080p HDMI KVM & USB, RS232 , IR, Audio Transmitter

HKM02BR 1080p HDMI KVM & USB, RS232 , IR, Audio Receiver

- Transmitter built-in HDMI loop Out

【Specification】

Cable: CAT5e UTP or higher

Resolution: up to 1080p 60Hz (Max)

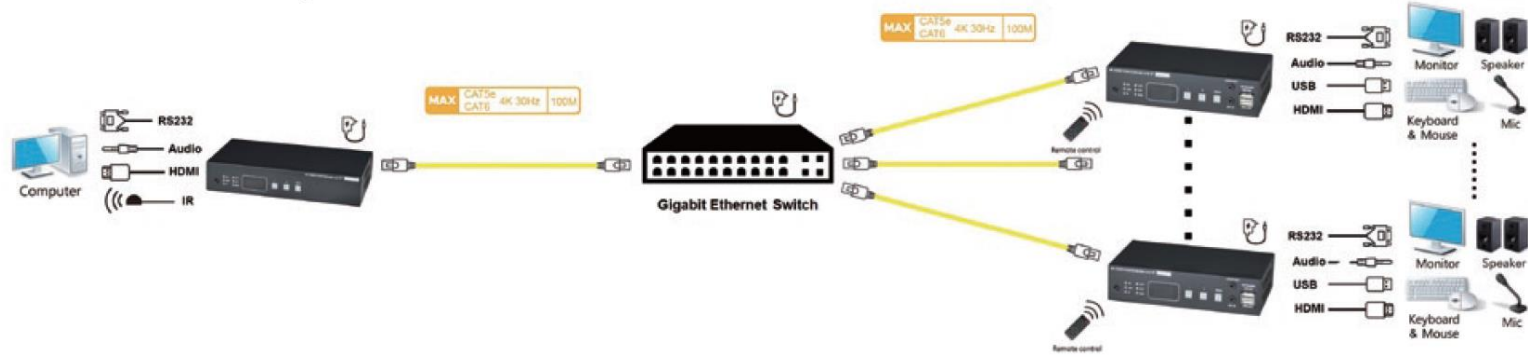


HKM02BT

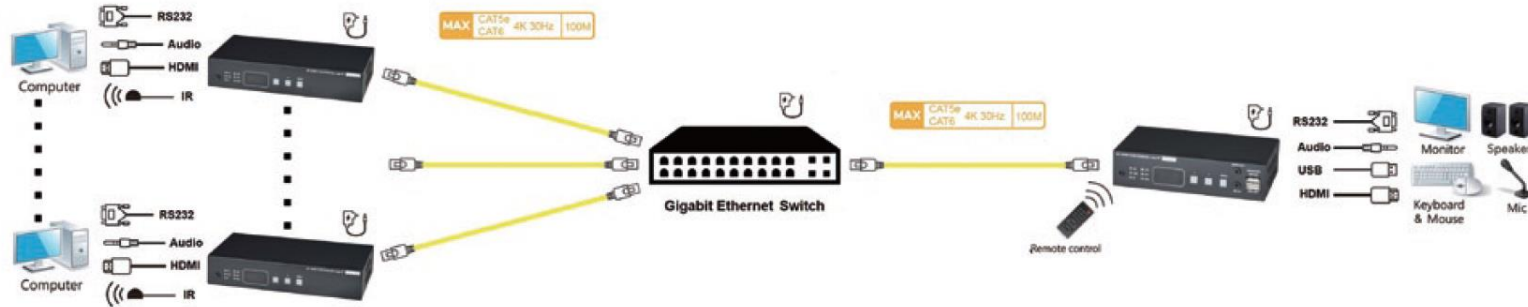


HKM02BR

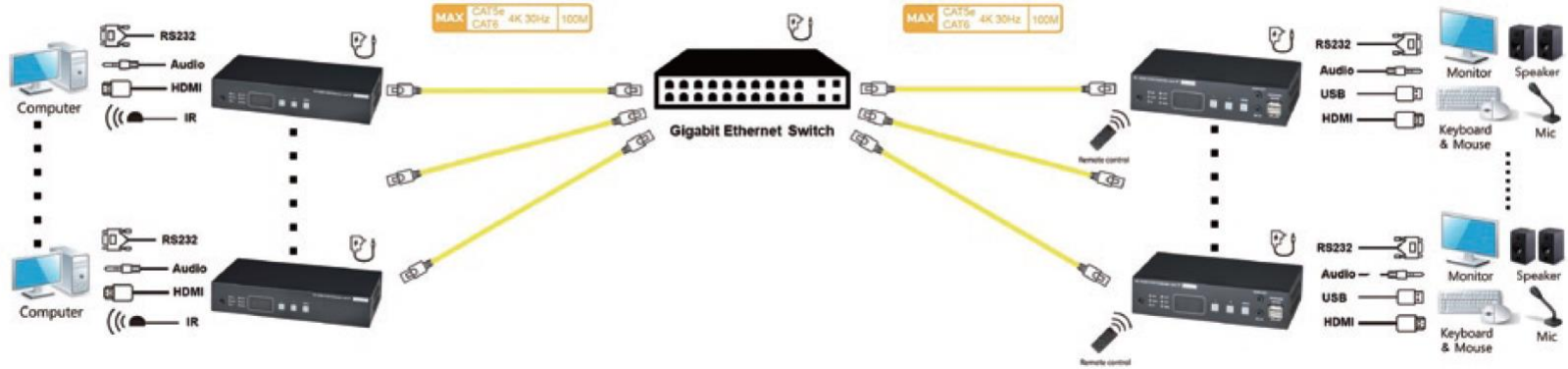
【 One Sources to Multiple 】



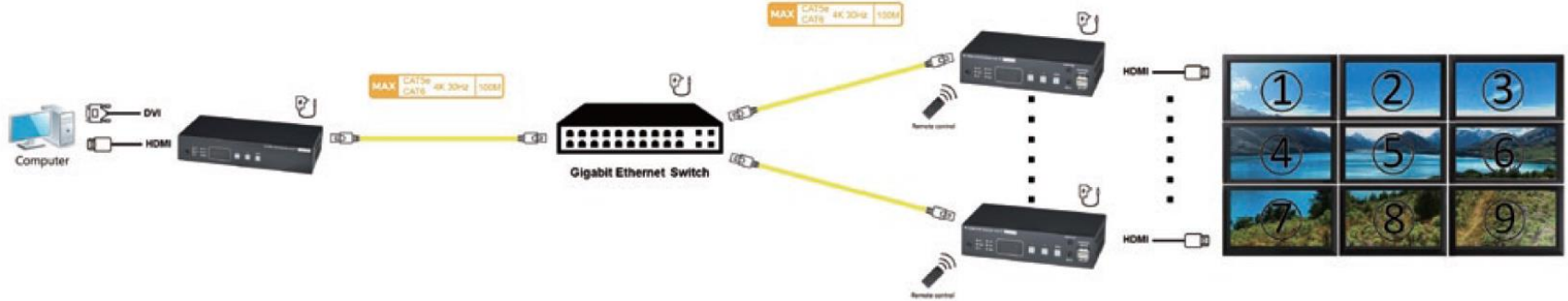
【 Multiples Sources to One 】



【Multiples Sources to Multiple】



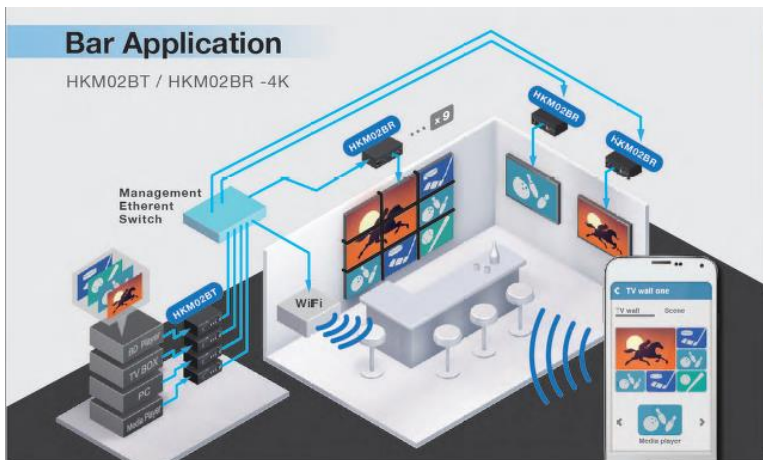
【Video Wall】



Multiple sources to multiple displays with Matrix Switching and Video Wall over a Lan

Bar Application

HKM02BT / HKM02BR -4K



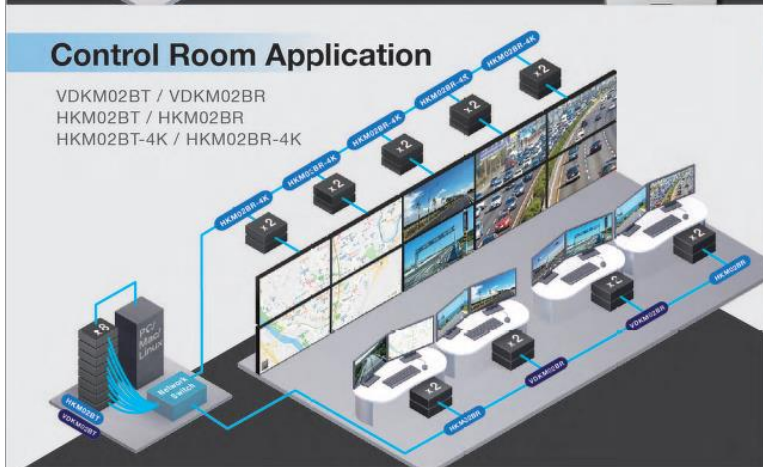
Department store Application

HKM02BT / HKM02BR -4K



Control Room Application

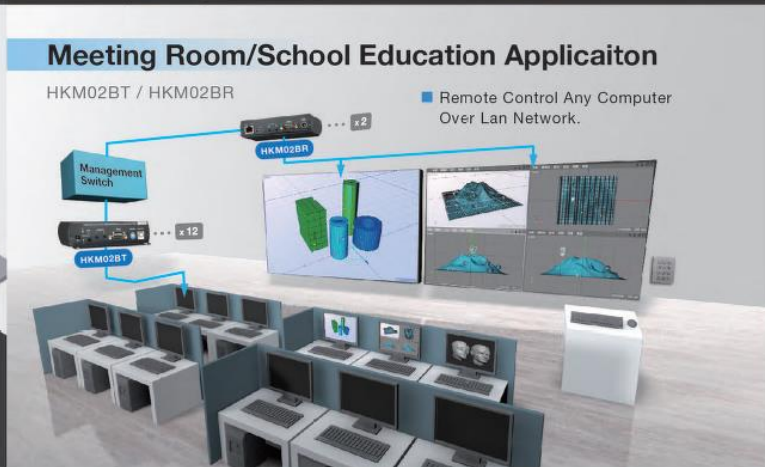
VDKM02BT / VDKM02BR
HKM02BT / HKM02BR
HKM02BT-4K / HKM02BR-4K



Meeting Room/School Education Application

HKM02BT / HKM02BR

Remote Control Any Computer Over Lan Network.



Multiple Controls



APP



PC Software



IR



RS232



Keypad



**Telnet API
Command**



**Console Box
Control**



**Front Panel
Button**

Case Studies





Thank You

www.sct.com.tw

service@sct.com.tw

(02) 2218-6886