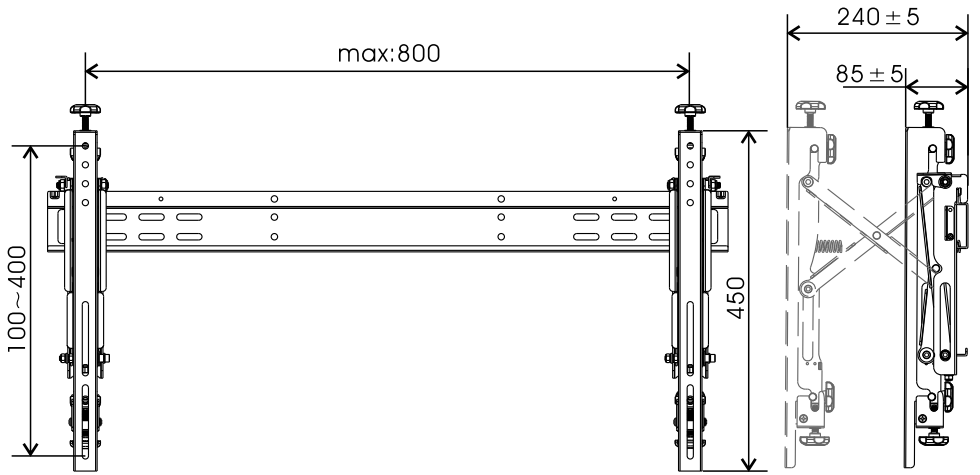


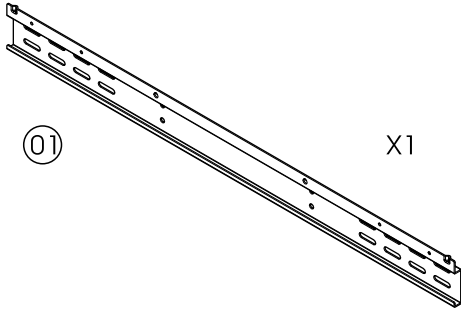
● In accordance with our policy of constant improvement, we reserve the right to alter specifications of products shown.



Before assembling,

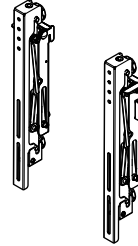
- Please spend some time to reading this manual.
- Some panels are viewed differently from the exploded drawing below. This is for extra clarity.
- Do not discard any of the packaging until you have checked all the parts and the package of fittings. If you lose any of the parts, contact the store where you purchase the product.

Check List



01

X1



02

X1 set

03



X4

04



X2

05



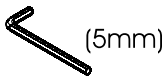
X2

06



X2

07



(5mm)

X1

08



X8

09



X4

10



X4

11



X4

12



X4

13



X4

14



X4

15



X4

16



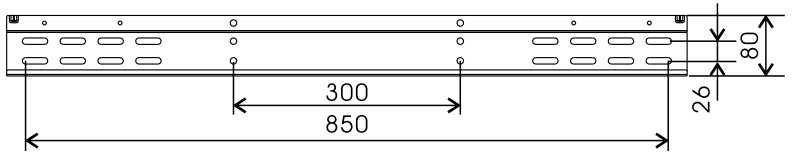
X4

Note:

Only if required, all fastening hardware maybe replaced by the installer at their own discretion based on the requirements of the wall composition; Modern Solid shall not be liable held if any fastening hardware supplied by third parties fail to sufficiently bolt the Video Wall to the wall.

Assembly Guide

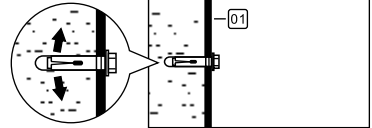
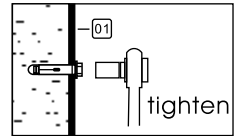
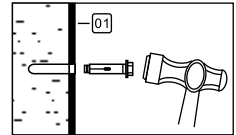
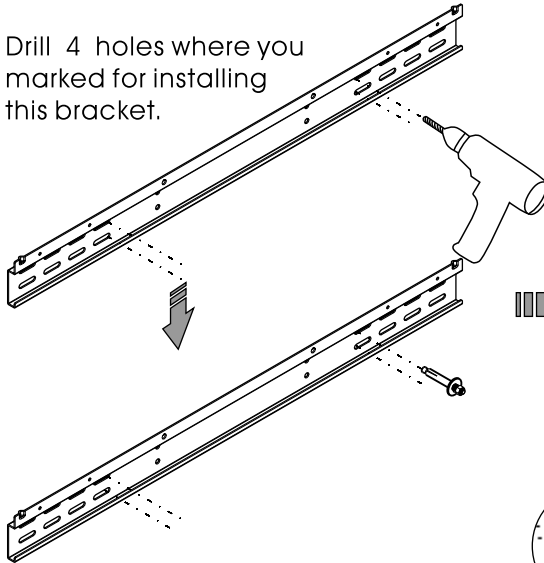
Step 1

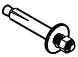



Drill 4 holes where you marked for installing this bracket.

Fasten brackets to the solid RC wall with 4 expansion bolts.

Solid RC Wall



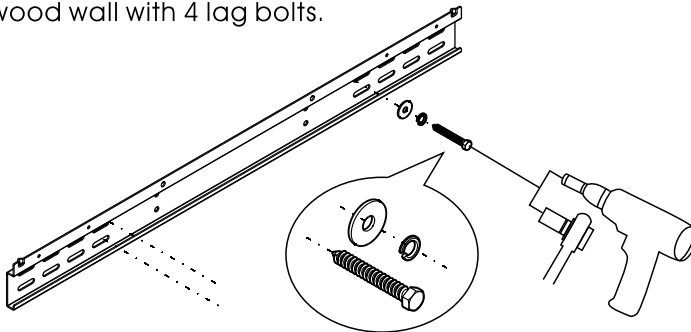
Screw	Code	Qty
	11	4
	08.09.10	4

Solid RC Wall

Solid Wood Wall

Mark 4 points for installing the bracket. Fasten the bracket to the solid wood wall with 4 lag bolts.

Solid Wood Wall

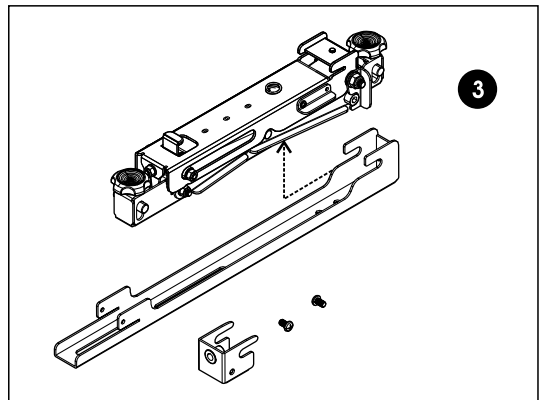
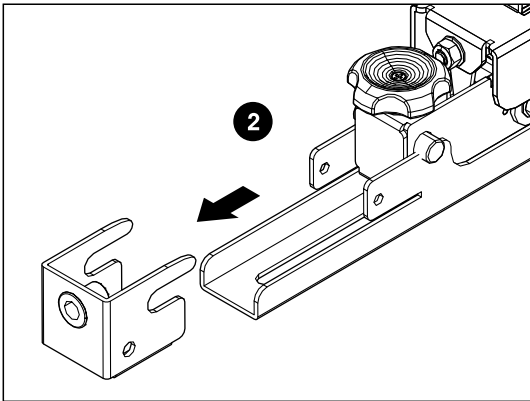
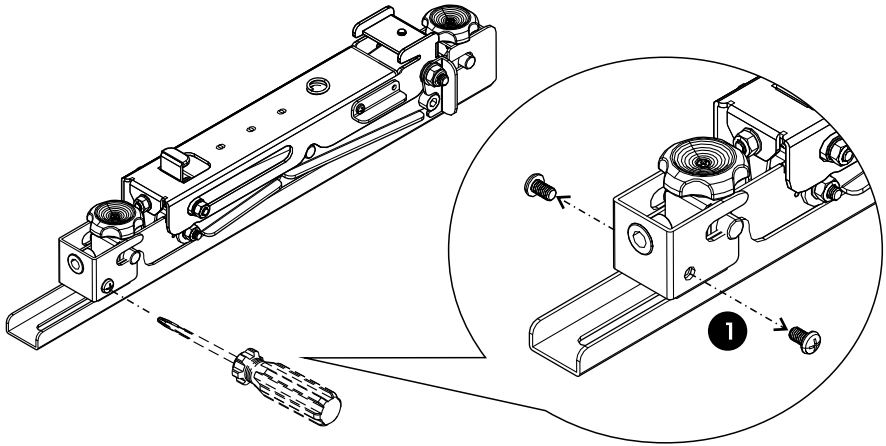


Note :

- Please consult the constructor about screw type.
- Please ask the expert to help you for installation.

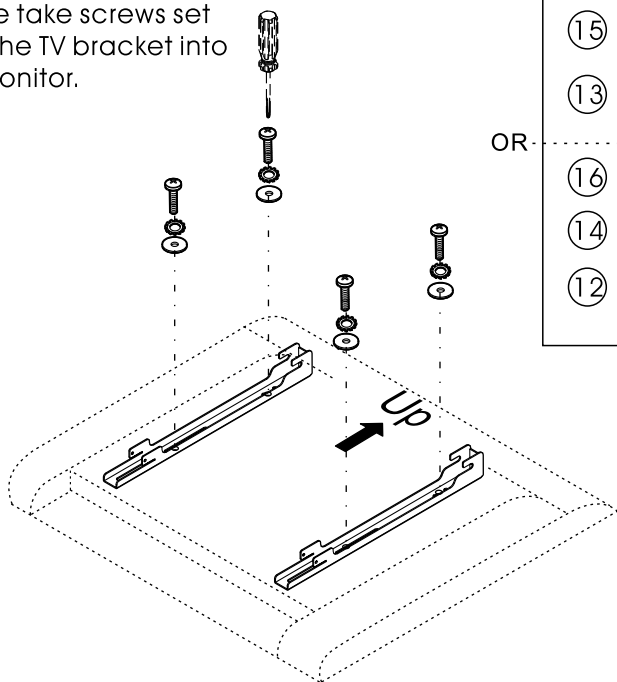
Step2

Please disassemble the two screws from the TV bracket in order to separate the spare parts of TV bracket as figure.



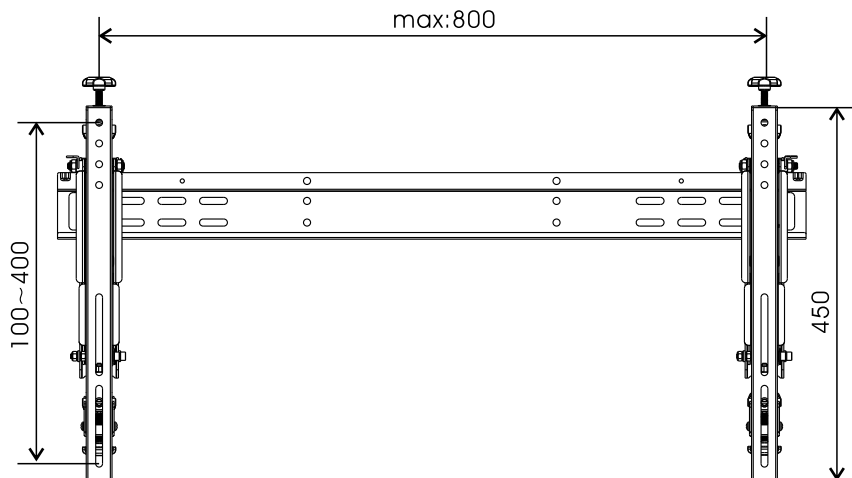
Step 3

Please take screws set to fix the TV bracket into the monitor.



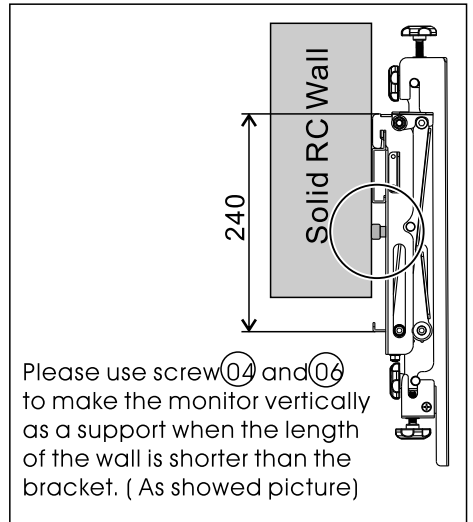
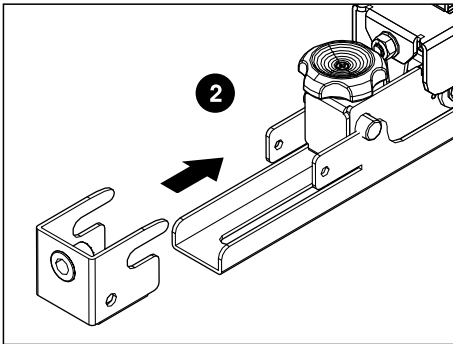
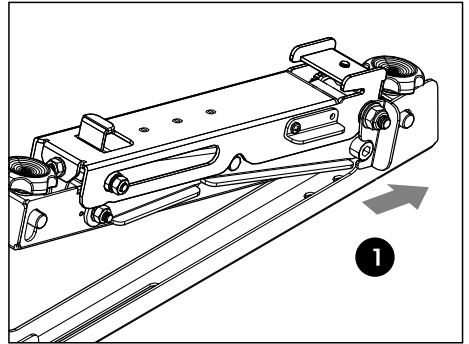
OR

08		X4
15		X4
13		X4 (M8*15)
16		X4
14		X4
12		X4 (M6*15)

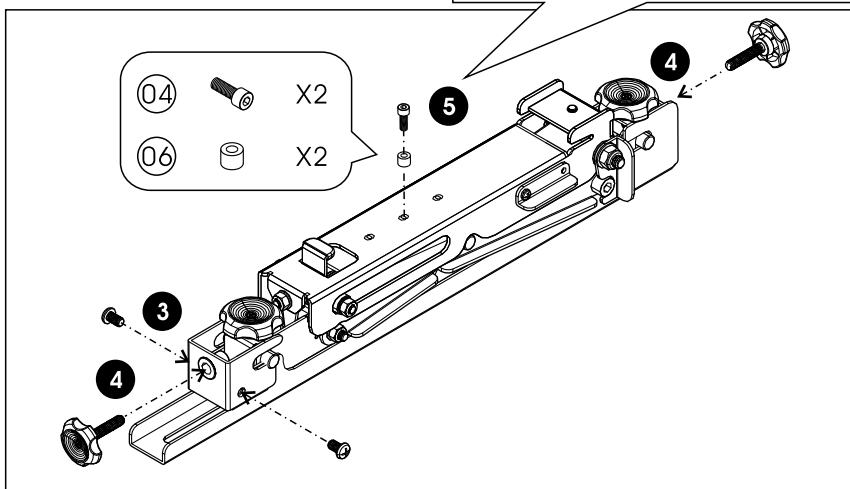


Step4

After finish the step3,
please go to fix the
monitor into the
bracket and complete
to assemble the TV
bracket as figure.



Please use screw 04 and 06
to make the monitor vertically
as a support when the length
of the wall is shorter than the
bracket. (As showed picture)

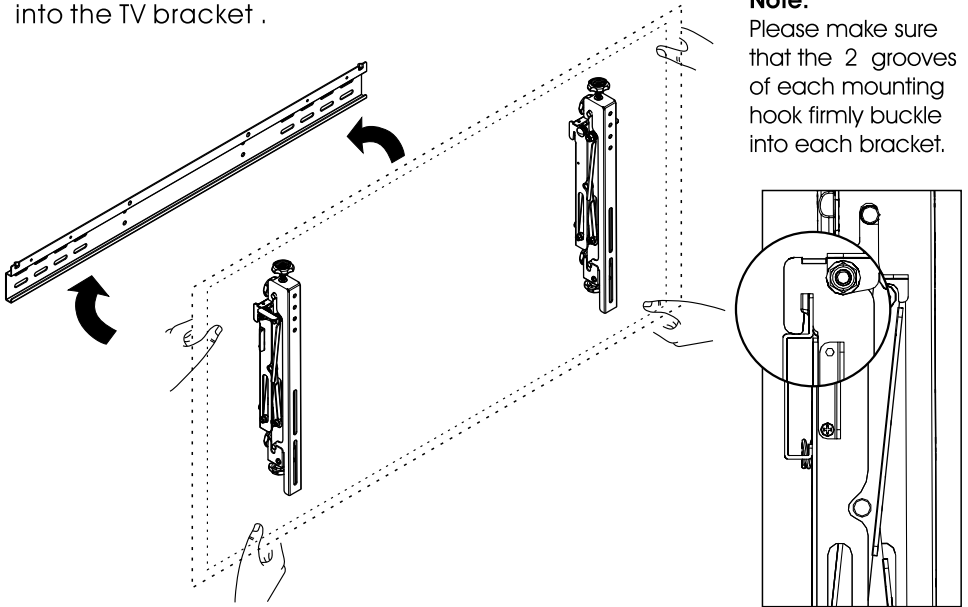


Step5

After finished the step 4, please take the monitor into the TV bracket .

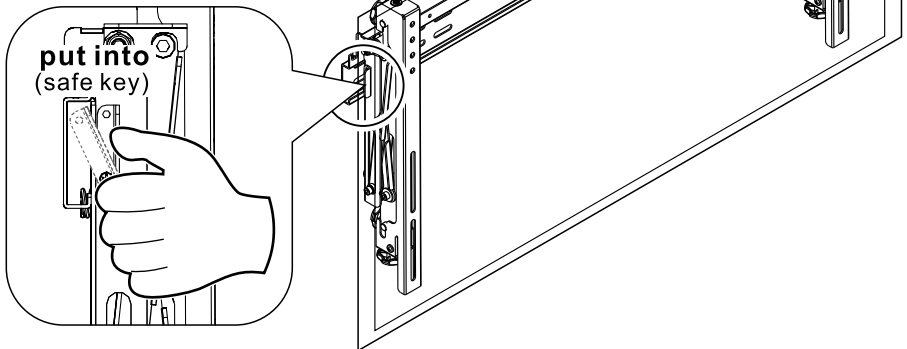
Note:

Please make sure that the 2 grooves of each mounting hook firmly buckle into each bracket.



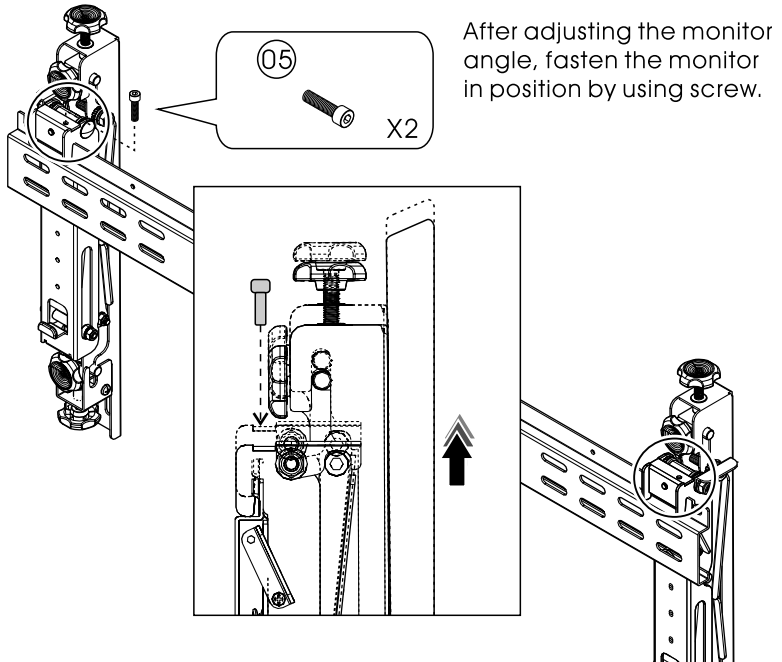
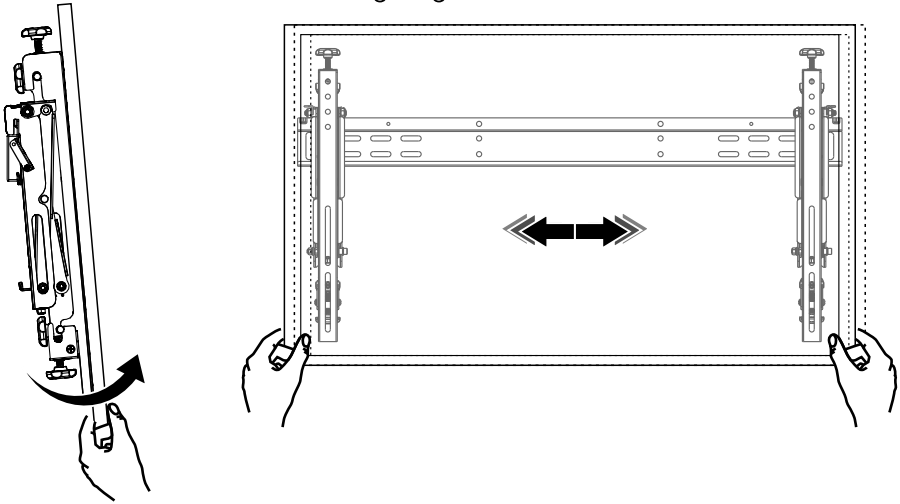
Step6

- Finally, hitch up the 2 locks to make sure the 2 mounting hooks fastened into the bracket.



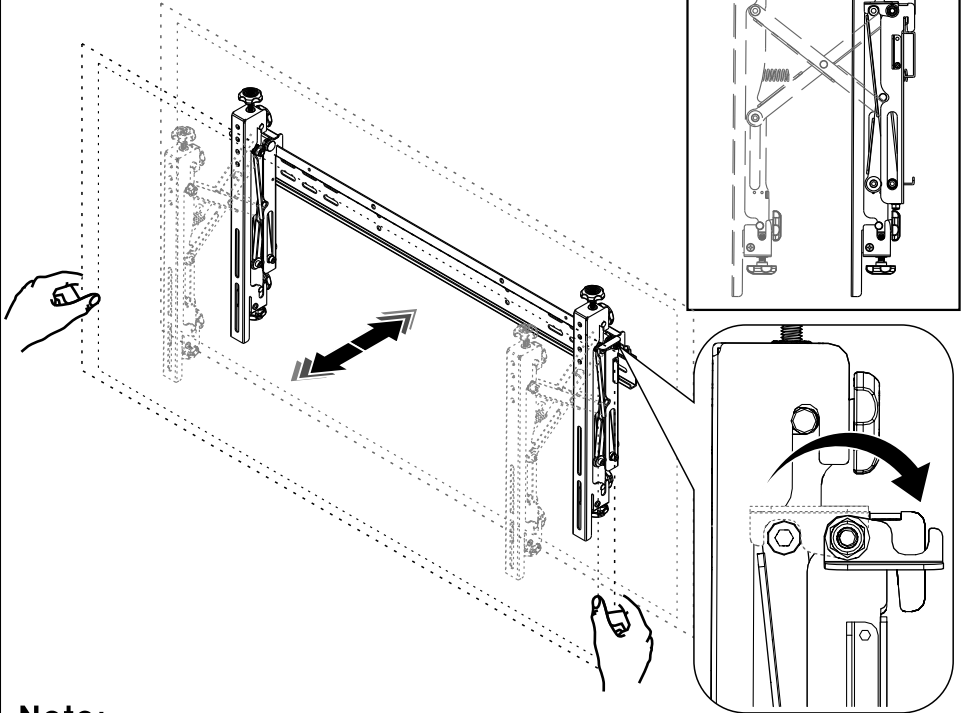
Step 7

Pull up the monitor slightly for better viewing angle.



Step 8

Before adjusting the angle of monitor, please loosen the two sides of security hooks, and press the monitor to make it bounce forward.



Note:

Multiple monitors should be installed from "left to right" and "bottom up".

7	8	9
4	5	6
1	2	3

Step 9

Please use the knob to adjust the monitor goes to forwards backward, upwards and downward.

