

Sagitta Series

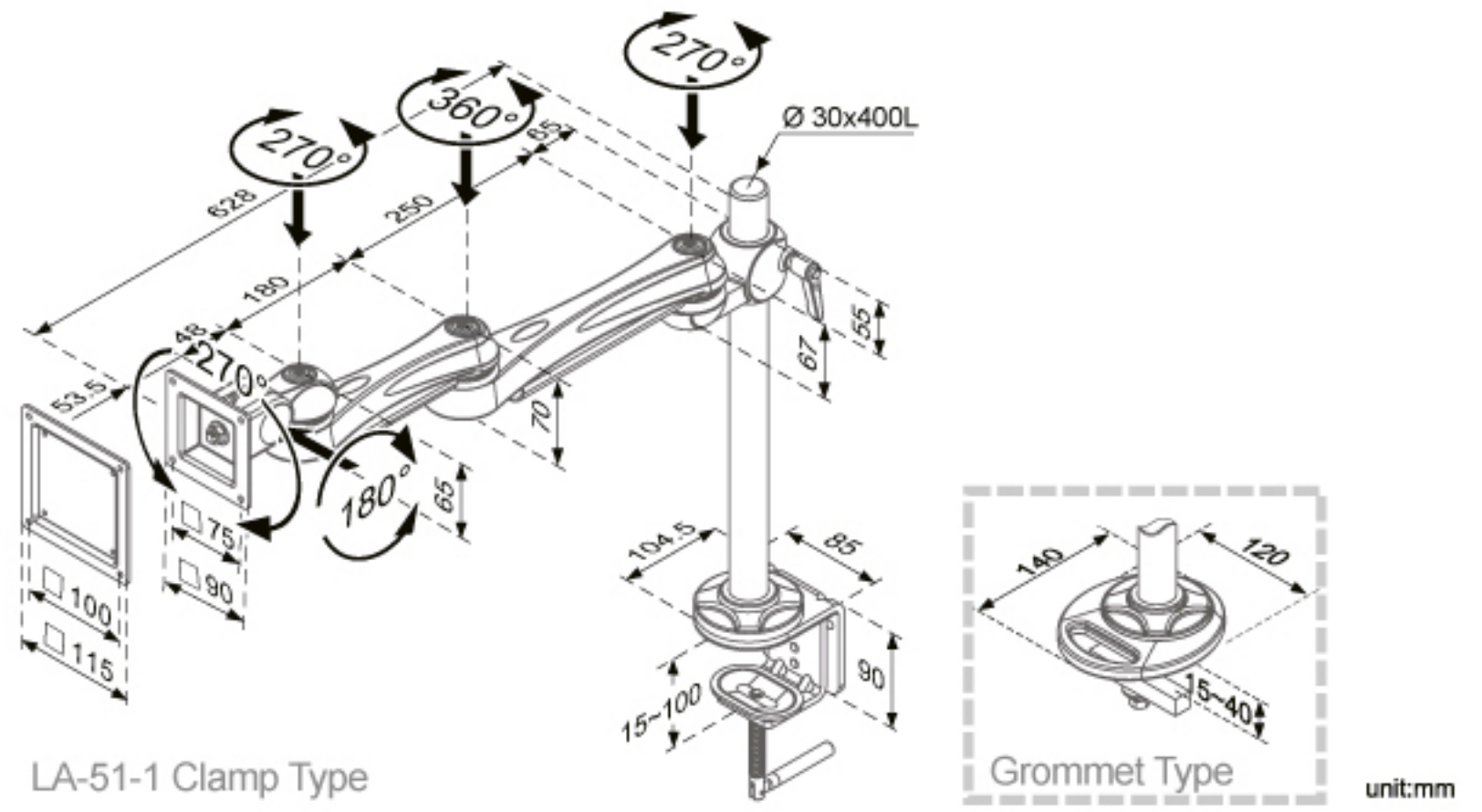


Well-Routed

Features :

- Made of high quality aluminum alloy.
- Ergonomic design and height-adjustable mount are perfect for a comfortable working space.
- Aesthetic design offers a pleasant environment.
- The sturdy main frame can still move smoothly under heavy load.
- Easy and efficient cable management.
- Items can be purchased separately if desired.

Its delicate design allows your monitor to stop at any position you desire. Free to make-up your own combinations in order to meet your needs.



LA-51-1 Clamp Type

Grommet Type

unit:mm

Clamp Type



LA-51-1

VESA 75/100mm

max ~8kg (17.6lbs)



LA-51-2

VESA 75/100mm

max ~10kg (22lbs)



LA-51-3

VESA 75/100mm

max ~12kg (26.4lbs)

Grommet Type



LA-52-1

VESA 75/100mm

max ~8kg (17.6lbs)



LA-52-2

VESA 75/100mm

max ~10kg (22lbs)



LA-52-3

VESA 75/100mm

max ~12kg (26.4lbs)

